

Part Description			Code no.	Sheet Pos	Loc	Part Description			Code no	Sheet Pos	Loc
A01	engine control unit	LF Halz	8/27			F06	Fuse 10A (15)	19731082	7/12		
A01	engine control unit	LF Halz	9/47			F07	Fuse 15A (15)	19731050	7/15		
A01	engine control unit	LF Halz	10/47			F08	Fuse 15A (75)	19731050	7/33		
A03	controller drive	9084743	11/10			F09	Fuse 10A (75)	19731082	7/38		
A03	controller drive	9084743	12/13			F10	Fuse 15A (75)	19731050	7/39		
A03	controller drive	9084743	13/12			F11	Fuse 15A (75)	19731050	7/42		
A03	controller drive	9084743	14/13			F12	Fuse 15A (75)	19731050	7/45		
A04	controller hydraulic	9064667	15/10			F13	Fuse 10A (58)	19731082	7/39		
A04	controller hydraulic	9064667	17/13			F14	Fuse 15A (30)	19731050	7/15		
A04	controller hydraulic	9064667	20/15			F15	Fuse 7.5A (57)	19731066	7/48		
A04	controller hydraulic	9064667	21/12			F16	Fuse 7.5A (57)	19731066	7/51		
A04	controller hydraulic	9064667	22/11			F17	Fuse 50A pre-fuse 15/7/5	19731512	6/14		
A06	controller mirror heating	9050393	23/15			F18	Fuse 50A pre-fuse 30	19731512	6/10		
A06	controller mirror heating	9050393	27/12			F19	Fuse 50A pre-fuse	19731512	6/17		
A08	controller 3-brooms	9069953	32/17			F20	Fuse 7.5A (50)	19731056	6/27		
A08	controller 3-brooms	9069953	33/13			F21	Fuse 15A (30)	19731050	7/18		
A09/F1	Halz control modul / diode	LF Halz	9/16			F22	Fuse 5A (30)	19731181	7/21		
A09/F1	Halz control modul / fuse 5A	LF Halz	9/16			F23	Fuse 15A (58)	19731050	7/42		
A09/F2	Halz control modul / fuse 10A	LF Halz	9/17			F24	Fuse 5A (58)	19731181	7/45		
A09/F3	Halz control modul / fuse 40A	LF Halz	9/18			F25	Fuse 10A (75)	19731082	7/48		
A09/F4	Halz control modul / fuse 15A	LF Halz	9/17			F26	Fuse 15A (30)	19731050	7/24		
A09/F5	Halz control modul / fuse 10A	LF Halz	9/11			F27	Fuse 15A (15)	19731050	7/18		
A09/F6	Halz control modul / fuse 30A	LF Halz	9/15			F28	Fuse 10A (75)	19731082	7/51		
A09/F7	Halz control modul / fuse 4A	LF Halz	9/9			F29	Fuse 5A (15)	19731181	7/21		
A09/K6	Halz control modul / relay's starter	LF Halz	9/12			F30	Fuse 10A (75)	19731082	7/54		
A09/K5	Halz control modul / relay's fuel pump	LF Halz	9/15			F31	Fuse 5A (30)	19731181	7/27		
A09/K6	Halz control modul / main relay's	LF Halz	9/15			F32	Fuse for SOW (30)	-	7/30		
A09/R1	Halz control modul / resistor	LF Halz	9/11			F33	Fuse for SOW (30)	-	7/33		
A09/R2	Halz control modul / resistor	LF Halz	9/11			F34	Fuse for SOW (15)	-	7/24		
A09/X1	Halz control modul / connecting bolt	LF Halz	9/7			F35	Fuse for SOW (57)	-	7/54		
A09/X3	Halz control modul / connector 9 pole	LF Halz	9/21			F36	spare fuse 5A	19731181	7/59		
A09/X8	Halz control modul / connector 8pole	LF Halz	9/20			F37	spare fuse 7.5A	19731066	7/62		
A10	fusebox side console right	97152920	6/27			F38	spare fuse 10A	19731082	7/45		
A10	fusebox side console right	97152920	7/11			F39	spare fuse 15A	19731050	7/68		
A11	auxiliary heating system	92074947	39/5			F40	Fuse 15A	19731050	6/39		
A20	fleet recorder	92060823	34/14			F41	Fuse 15A	19731050	6/42		
A21	gateway	92067180	40/14			F42	Fuse 30A	19731157	11/11		
A100	controller preglow	LF Halz	9/39			F43	Fuse 20A	19731058	39/5		
B01	pressure sensor pressure to drive wa	92023183	11/36			G01	starter battery 12V	19410026	6/2		
B02	pressure sensor pressure to drive wa	92023183	11/31			G02	alternator 14V / 150A	LF Halz	6/17		
B03	pressure sensor brake pressure	90624719	12/2			H01	horn	920422619	15/53		
B04	fuel level sensor	92052869	22/31			H02	buzzer	92045913	29/48		
B05	pressure switch AC	90679416	26/41			H03	pilot lamp battery charge / preheating	19258700	8/18		
B06	freeze switch Cab	90679416	26/41			H04	pilot lamp switch battery main	97146294	13/26		
B08	driver seat Cabb	90619578	15/18			K05	relay supply 75	90539271	6/50		
B08	driver seat Cabb	90619578	15/18			K06A	relay starter active	90539305	6/27		
B08	driver seat Cabb	90619578	15/18			K08B	relay brake light	90539305	11/43		
B08	driver seat Cabb	90619578	15/18			K07	relay voltage - 3-brooms modul	00004149102	6/37		
B08	driver seat Cabb	90619578	15/18			K08A	relay windshield wiper	90539305	17/38		
B09	angle sensor throttle pedal forward	92073135	12/12			K08B	relay fog light	90539305	18/42		
B10	angle sensor throttle pedal backward	92073135	12/22			K09	relay AC system	000041491102	26/29		
B11	hall sensor brake pedal	97145270	12/33								
B12	temperature sensor hydraulic oil	90647894	11/29								

Part Description	Code no	Sheet Pos	Loc
K10A relay release	90539305	21/1	
K10B relay voltage + prop valve	90539305	23/2	
K11A relay windshield washer pump (cpt.)	90539305	35/48	
K12 relay auxiliary heating system	0000429102	26/5	
M01 starter	LF halz	6/11	
M02 compressor fan	90679416	26/35	
M05 windshield wiper motor	90603762	17/38	
M06 windshield washer pump	90783408	17/24	
M07 heating fan	90679416	26/4	
M09 water pump	97162186	31/52	
M10 fuel pump	LF halz	9/29	
M11 retarding pump auxiliary heating system	-	39/75	
M12 circulation pump auxiliary heating system	-	39/20	
P01 multi-function display	90686403	16/70	
P02 display	90850876	30/31	
P03 operating unit auxiliary heating system	-	39/27	
R13 resistor 120Ohm (CAN1-A031)	-	11/29	
R14 resistor 120Ohm (CAN external)	-	40/23	
R17 mirror heating (left) (cpt.)	97118723	27/17	
R18 mirror heating (right) (cpt.)	97118723	27/21	
R20 resistor 120Ohm (CAN1-X63)	-	16/39	
R24 resistor 1kOhm	-	22/32	
R25 resistor 1kOhm	-	22/37	
R26 resistor 1kOhm	-	22/42	
R27 resistor 1kOhm	-	22/46	
R28 resistor 10kOhm	-	15/30	
R29 resistor 680Ohm	-	13/26	
R102 resistor 1k	-	34/45	
R103 resistor 1k	-	22/1	
S01 starter switch	90432998	6/25	
S02 switch warning flasher	92050673	15/4	
S03 steering wheel switch	90122219	15/47	
S04 switch work lights A-pillar a. cabin top	19256551	19/10	
S05 push-button mirror heating	19256577	27/5	
S06 switch beacon lamp	19256643	19/25	
S07 push-button engine speed trip-up / down	19256478	15/8	
S08 switch light	19256650	16/10	
S09 steering wheel switch comfort	92709096	35/33	
S10 switch windshield wiper	19256601	17/14	
S11 push-button switch hopper up/down	19256619	22/4	
S12 switch rear fog light	19256585	16/48	
S13 switch AC	19256668	26/75	
S14 rotary switch heating fan	90791146	26/6	
S15 switch parking brake	19256502	13/44	
S16 push-button cruise control/limiter	19256676	12/45	
S18 push-button reverse blower	19256536	14/21	
S19 switch battery main	9201278	6/2	
S21 joystick switch left hydraulics	90623547	22/22	
S22 push-button switch working mode	90505666	22/74	
S23 encoder switch with push-button	90600115	22/19	
S24 joystick switch right hydraulics	90623547	22/42	

Part Description	Code no	Sheet Pos	Loc
S29 switch working lights cabin back	19256684	37/11	
S30 switch working light suction mouth	19256684	37/22	
S31 push-button container 2'nd hand	97095608	28/44	
S32 push-button hopper up	97095608	28/44	
S33 push-button hopper down (cpt.)	97095608	28/37	
S34 push-button emergency to stop (SOW)	90789389	14/50	
S35 push-button lift side broom left/right (SOW)	-	22/5	
T01 USB plug socket	92053004	19/47	
V01 diode 1A	-	8/21	
V02 diode 1A	-	22/2	
X05 connector 2 pole (W1<->W5)	-	6	
X06 connector 6 pole for SOW (W5)	-	7	
X07 connector 2 pole (W1<->W5)	-	6	
X08 connector 16 pole (W1<->W5)	-	22	
X09 connector 8 pole (W1<->W5)	-	6	
X09 connector 8 pole (W1<->W5)	-	11	
X09 connector 8 pole (W1<->W5)	-	19	
X09 connector 8 pole (W1<->W5)	-	22	
X09 connector 8 pole (W1<->W5)	-	25	
X10 connector 22 pole (W1<->W5)	-	8	
X10 connector 22 pole (W1<->W5)	-	12	
X10 connector 22 pole (W1<->W5)	-	13	
X10 connector 22 pole (W1<->W5)	-	14	
X10 connector 22 pole (W1<->W5)	-	15	
X10 connector 22 pole (W1<->W5)	-	22	
X10 connector 22 pole (W1<->W5)	-	26	
X10 connector 22 pole (W1<->W5)	-	28	
X11 connector 14 pole (W1<->W5)	-	15	
X11 connector 14 pole (W1<->W5)	-	16	
X11 connector 14 pole (W1<->W5)	-	18	
X11 connector 14 pole (W1<->W5)	-	22	
X11 connector 14 pole (W1<->W5)	-	29	
X11 connector 14 pole (W1<->W5)	-	39	
X12 connector 12 pole (W1<->W2)	-	12	
X12 connector 12 pole (W1<->W2)	-	15	
X13 connector 8 pole (W1<->W10)	-	21	
X13 connector 8 pole (W1<->W10)	-	18	
X13 connector 8 pole (W1<->W10)	-	23	
X13 connector 8 pole (W1<->W10)	-	29	
X14 connector 3 pole (W5<->W10)	-	23	
X15 connector 20 pole (W5<->W10)	-	13	
X15 connector 20 pole (W5<->W10)	-	15	
X15 connector 20 pole (W5<->W10)	-	16	
X15 connector 20 pole (W5<->W10)	-	17	
X15 connector 20 pole (W5<->W10)	-	19	
X15 connector 20 pole (W5<->W10)	-	22	
X15 connector 20 pole (W5<->W10)	-	23	
X15 connector 20 pole (W5<->W10)	-	37	
X16 connector 6 pole (W1<->W5)	-	8	
X16 connector 6 pole (W1<->W5)	-	12	
X16 connector 6 pole (W1<->W5)	-	15	
X16 connector 6 pole (W1<->W5)	-	19	

Part Description	Code no	Sheet Pos	Loc
X17 connector 22 pole (W5<->W6)	-	8	
X17 connector 22 pole (W5<->W6)	-	12	
X17 connector 22 pole (W5<->W6)	-	15	
X17 connector 22 pole (W5<->W6)	-	17	
X17 connector 22 pole (W5<->W6)	-	18	
X17 connector 22 pole (W5<->W6)	-	19	
X18 connector 24 pole (W1<->W5)	-	8	
X18 connector 24 pole (W1<->W5)	-	11	
X18 connector 24 pole (W1<->W5)	-	15	
X18 connector 24 pole (W1<->W5)	-	16	
X18 connector 24 pole (W1<->W5)	-	18	
X18 connector 24 pole (W1<->W5)	-	19	
X18 connector 24 pole (W1<->W5)	-	26	
X18 connector 24 pole (W1<->W5)	-	27	
X18 connector 24 pole (W1<->W5)	-	37	
X18 connector 24 pole (W1<->W5)	-	39	
X19 connector 6 pole (W1<->W5)	-	18	
X19 connector 6 pole (W1<->W5)	-	19	
X19 connector 6 pole (W1<->W5)	-	26	
X20 connector 10 pole (W1<->W5)	-	8	
X20 connector 10 pole (W1<->W5)	-	14	
X21 connector 6 pole (W1<->W23)	-	32	
X22 connector 3 pole (W1<->W10)	-	6	
X22 connector 3 pole (W1<->W10)	-	9	
X23 connector 2 pole (W1<->W26)	-	24	
X24 connector 4 pole (W1<->W15)	-	27	
X28 connector 6 pole (W5<->W16)	-	30	
X32 connector 22 pole (W1<->W16)	-	11	
X32 connector 22 pole (W1<->W16)	-	12	
X32 connector 22 pole (W1<->W16)	-	13	
X32 connector 22 pole (W1<->W16)	-	26	
X33 connector 12 pole (W1<->W16)	-	12	
X33 connector 12 pole (W1<->W16)	-	13	
X33 connector 12 pole (W1<->W16)	-	14	
X33 connector 12 pole (W1<->W16)	-	19	
X33 connector 12 pole (W1<->W16)	-	11	
X34 connector 12 pole (W1<->W13)	-	13	
X34 connector 12 pole (W1<->W13)	-	14	
X34 connector 12 pole (W1<->W13)	-	22	
X34 connector 12 pole (W1<->W13)	-	36	
X36 connector 8 pole (W1<->W13)	-	11	
X36 connector 8 pole (W1<->W13)	-	13	
X36 connector 8 pole (W1<->W13)	-	14	
X37 connector 16 pole (W1<->W16)	-	6	
X37 connector 16 pole (W1<->W16)	-	8	
X37 connector 16 pole (W1<->W16)	-	11	
X37 connector 16 pole (W1<->W16)	-	39	

1 2x 4:05-30 16 12 19 DK
 42 No. Number upper's Change No. Date Name S. Venterd

2018 Date Name
 Drawn by ZL DL DK
 Verified
 Name S. Venterd

Change No. 4:05-11
 Replacem. for same

SKM650 Name
 Scholtipon / circuit diagram

Drawing Number
 91039958
 No. of Sh. 46 Sheet 2

KMS.L472 Type L491 - 999_DS
 0-26000-01-01-01-01-01

Part Description	Code no.	Sheet Pos	Loc
X578 ussp [W5]	16		
X579 ussp [W5]	11		
X580 ussp [W3]	22		
X581 ussp [W3]	22		
X582 ussp [W3]	22		
X583 ussp [W2]	22		
X584 ussp [W3]	22		
X585 ussp [W10]	13		
X586 ussp [W1]	12		
X588 ussp [W16]	9		
X589 ussp [W16]	9		
X590 ussp [W16]	9		
X591 ussp [W76]	10		
X592 ussp [W5]	7		
X593 ussp [W12]	11		
X594 ussp [W12]	11		
X595 ussp [W1]	6		
X596 ussp [W4]	19		
X597 ussp [W5]	15		
X599 ussp [W5]	22		
X5100 ussp [W5]	15		
X5101 ussp [W4]	36		
X5104 ussp [W4]	37		
X5105 ussp [W4]	36		
X5106 ussp [W1]	8		
X5107 ussp [W1]	8		
X5108 ussp [W1]	18		
X5110 ussp [W1]	12		
X5111 ussp [W1]	13		
X5112 ussp [W16]	11		
X5113 ussp [W76]	11		
X5114 ussp [W6]	17		
X5116 ussp [W4]	27		
X5117 ussp [W4]	27		
X5118 ussp [W4]	36		
X5119 ussp [W5]	36		
X5120 ussp [W4]	19		
X5122 ussp [W43]	37		
X5123 ussp [W5]	15		
X5124 ussp [W5]	15		
X5125 ussp [W77]	34		
X5126 ussp [W77]	34		
X5127 ussp [W16]	6		
X5128 ussp [W29]	40		
X5129 ussp [W29]	40		
X5130 ussp [W29]	40		
X5131 built joint [W79]	40		
X5132 built joint [W79]	40		

Part Description	Code no.	Sheet Pos	Loc
Y01 hydraulic valve overrun function	-	13/6	
Y02 hydraulic valve drive stage	-	13/12	
Y03 hydraulic valve driving direction forward	-	13/19	
Y04 hydraulic valve driving direction backward	-	13/24	
Y05 hydraulic valve parking brake	-	13/43	
Y09 clutch compressor AC	LF Holz	26/41	
Y10 prep valve fan	-	23/5	
Y12 hydraulic valve front carrier circ.	-	20/7	
Y13 hydro-valve front carrier released	-	21/20	
Y14 hydraulic valve front carrier up	-	21/27	
Y15 hydraulic valve actuator right pos. PVT	-	20/30	
Y16 hydraulic valve actuator right pos. T/P	-	20/37	
Y17 hydraulic valve hopper up	-	21/5	
Y18 hydraulic valve hopper down	-	21/12	
Y19 hydraulic valve actuator left pos. PVT	-	20/15	
Y20 hydraulic valve actuator left pos. T/P	-	20/22	
Y22 water valve fresh/sloppy water	90579475	31/52	
Y29 hydraulic valve stop func. front attachment	-	21/35	
Y30 hydraulic valve switching function	-	31/20	
Y31 prep valve speed fan	-	14/16	
Y32 hydraulic valve reverse blower	-	14/7	
Y33 prep valve front attachment d.press	-	23/15	
Y34 hydraulic valve front attachment press	-	21/42	
Y35 hydraulic valve pressure switched on	-	21/50	
Y36 hydraulic valve floating position	-	20/45	
Y37 hydraulic valve broom right displacement	-	31/68	
Y40 prep valve speed rear brooms	-	32/46	
Y41 prep valve speed front broom	-	32/22	
Y42 hydro valve driv. dir. front broom left	-	33/13	
Y43 hydro valve driv. dir. front broom right	-	33/19	
Y44 hydro valve front broom floating position	-	33/30	
Y45 prep valve front broom d.pressure/up	-	33/46	
Y46 hydraulic valve main arm swing left	-	33/35	
Y47 hydraulic valve main arm swing right	-	33/24	
Y48 hydraulic valve front arm swing left	-	32/17	
Y49 hydraulic valve front arm swing right	-	33/41	
Y50 hydraulic valve side brooms floating position	-	32/30	
Y51 prep valve side brooms d.press./up	-	32/52	
Y52 hydraulic valve front arm swing right	-	32/41	
Y53 hydraulic valve front arm swing left	-	32/38	
Y55 prep valve rotation speed broom	-	23/10	
Y60 water valve 3-brooms	97136796	33/51	

Part Description	Code no.	Sheet Pos	Loc
W1 wire harness #1 (joint)	9715284		
W2 wire harness #2 (cabline floor)	97153878		
W3 wire harness #3 (arm rest)	97154140		
W4 wire harness #4 (cabin roof)	97153886		
W5 wire harness #5 (side console right)	97152292		
W6 wire harness #6 (steering pillar)	97152300		
W8 wire harness #8 (work lamps)	97158273		
W10 wire harness #10 (hydraulic front)	97153969		
W11 wire harness #11 (sweeper attach. 2-brooms)	97133763		
W12 wire harness #12 (inlet)	97152684		
W13 wire harness #13 (hydraulic to back)	97152494		
W14 wire harness #14 (radio)	97154256		
W15 wire harness #15 (mirror heating)	97122337		
W16 wire harness #16 (chassis)	97152698		
W17 wire harness #17 (sweeper attach. 2-brooms comfort)	97161947		
W21 wire harness #21 (sweeper attach. 3-brooms)	97158760		
W22 wire harness #22 (comfort steering pillar)	97142244		
W23 wire harness #23 (universal front power)	97134134		
W26 wire harness #26 (cylinder)	97132401		
W29 wire harness #29 (attachment uncoiled)	97127551		
W30 wire harness #30 (conductor switch rear)	97126609		
W31 wire harness #31 (press. cont. front teal carrier)	97122915		
W32 wire harness #32 (weight holder)	97131718		
W33 wire harness #33 (socket 9 pole front attach.)	97132740		
W34 wire harness #34 (spreaders coding rear)	97132393		
W35 wire harness #35 (front sweeping machine)	97134142		
W36 wire harness #36 (license plate light)	97153571		
W37 wire harness #37 (work light 3-brooms)	97153712		
W38 wire harness #38 (work light suction mouth)	97158703		
W40 wire harness #40 (socket X83)	97142814		
W41 wire harness #41 (front indicator/posl. Std.)	97154157		
W42 wire harness #42 (headlights LED)	97158822		
W43 wire harness #43 (front indicator/posl. LED)	97158830		
W44 wire harness #44 (spreaders preliminary)	97158844		
W45 wire harness #45 (auxiliary heating system)	97159552		
W77 wire harness #77 (fleetrecorder)	97158851		
W78 wire harness #78 (Fleetrecorder expansion)	97158869		
W79 wire harness #79 (gateway)	97161426		
W51 loom of wires	97156798		
W52 loom of wires (engine)	9715882E		
W53 loom of wires (battery main switch)	97158814		



1

1x	4105-30	16 12 19	DK	2018	Date	2018	24.04	DK	2018	Date	2018	24.04	DK
Name: S. Vandenborgh													
Name: S. Vandenborgh													

42) No. Number appears Change No. Date Name

1k

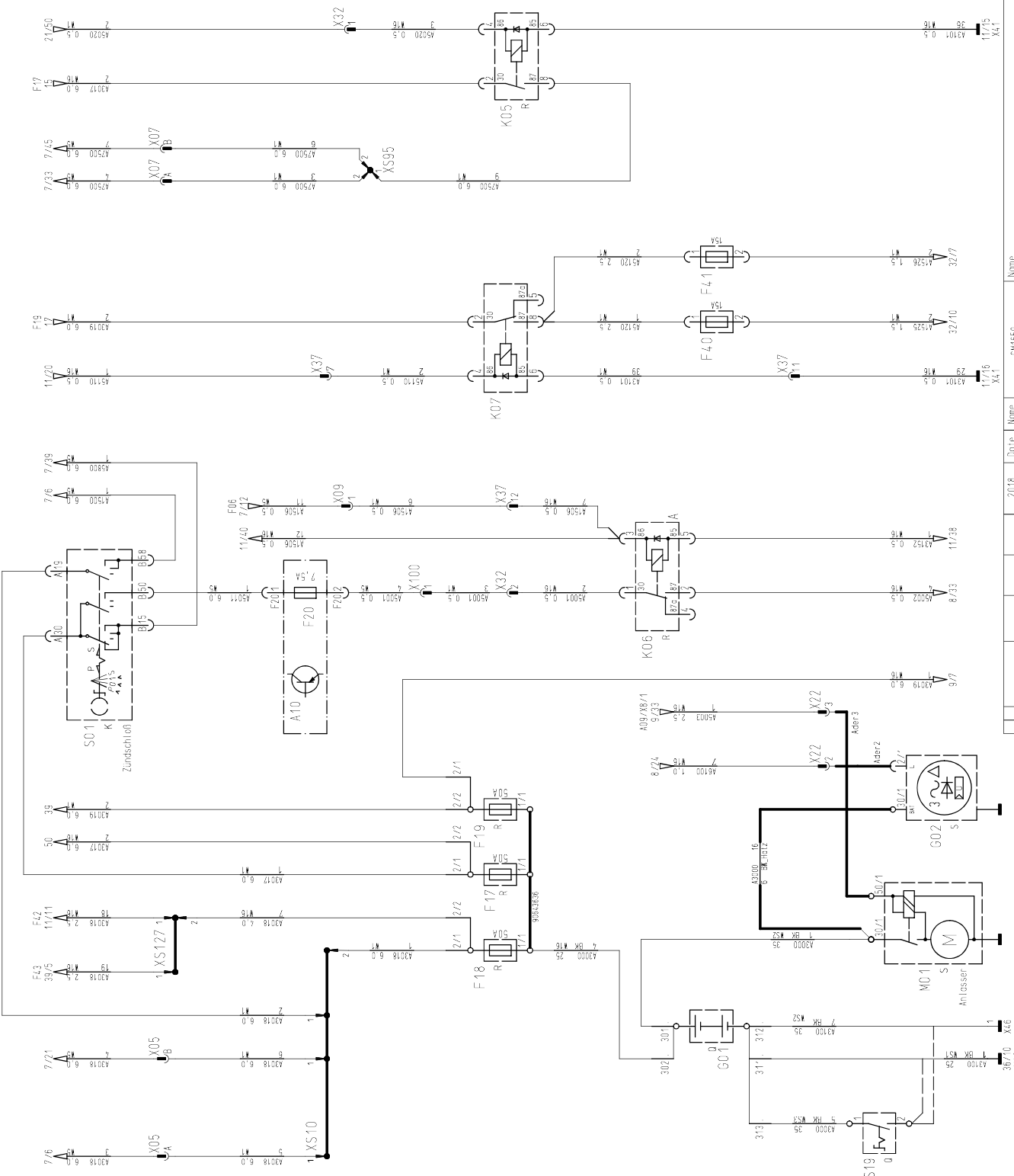
1	4105-30	16 12 19	DK	2018	Date	2018	24.04	DK	2018	Date	2018	24.04	DK
Name: S. Vandenborgh													
Name: S. Vandenborgh													

Schaltplan / circuit diagram

For this drawing we reserve all rights (acc. DIN ISO 6016)

Legende

- A10 fusebox side console right
- F17 fuse 50A pre-fuse 15/75
- F18 fuse 50A pre-fuse 30
- F19 fuse 50A pre-fuse
- F20 fuse 7.5A (50)
- F40 fuse 15A
- F41 fuse 15A
- G01 starter battery 12V
- G02 alternator 14V / 150A
- K05 relay supply 75
- K06 relay starter active
- K07 relay voltage + 3-brooms moduls
- M01 starter
- S01 starter switch
- S19 switch battery main
- X05 connector 2 pole (W1<->W5)
- X07 connector 2 pole (W1<->W5)
- X09 connector 8 pole (W1<->W5)
- X22 connector 3 pole (W16<->motor)
- X32 connector 22 pole (W1<->W16)
- X37 connector 16 pole (W1<->W16)
- X46 ground bolt M8 engine
- X100 connector 1 pole (W1<->W5)
- XS10 ussp (W1)
- XS95 ussp (W1)
- XS27 ussp (W16)



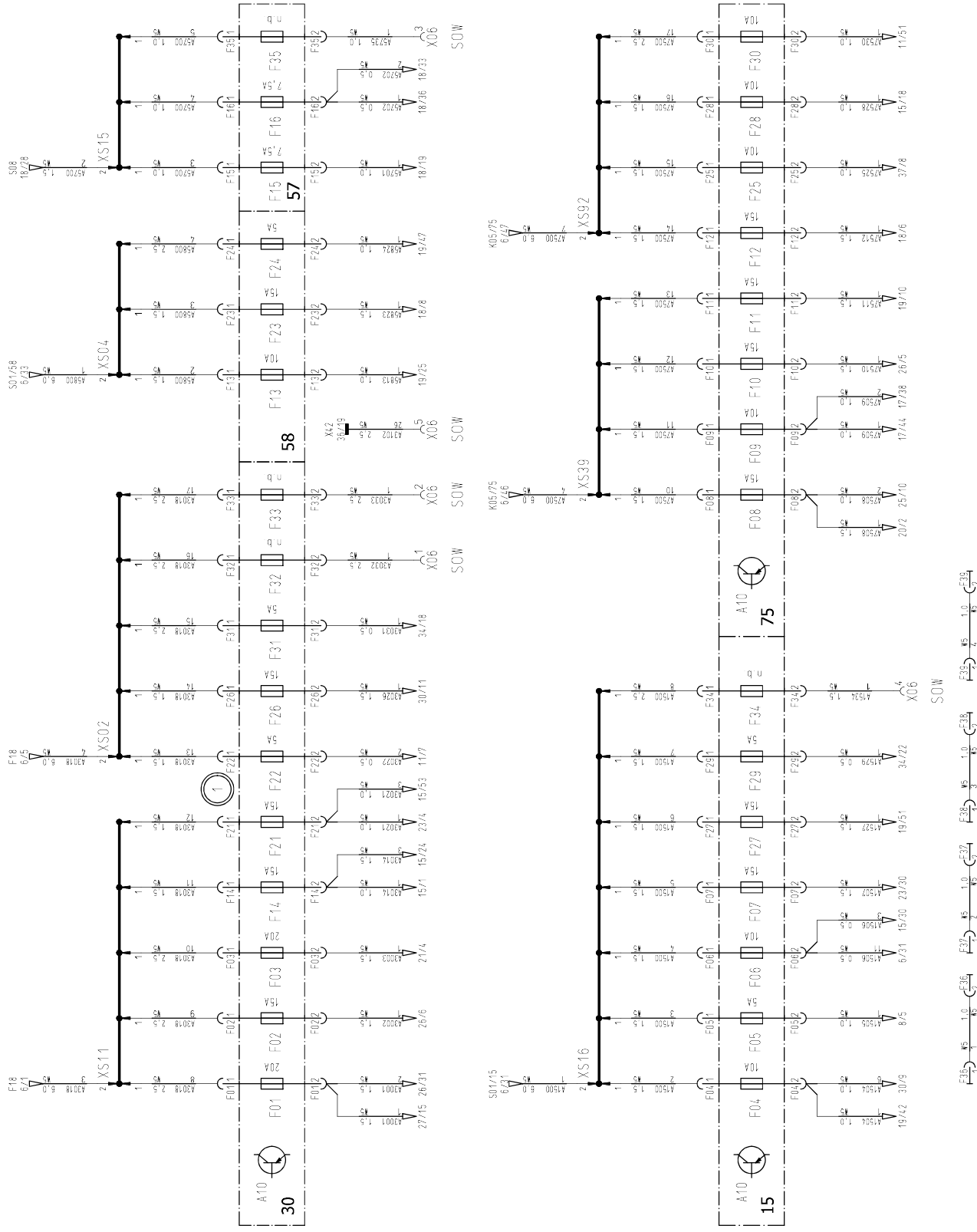
		Drawing Number 91039958
Name Schaltplan / circuit diagram		No. of Sh. 46 / Sheet 6
Name SKM650		Type L491 ... 999_DS
Date 2018		K481-L72
Drawn by 24.04.18 DK		For this drawing we reserve all rights (acc. DIN ISO 15076)
Verified 15.12.19 DK		Change No. 4105-11
Name S. Venzler		11/75 X41
Date 4.105.30 16.12.19		11/75 X41
Change No. /		11/75 X41
42 (No.) Number of pages / Change No. /		11/75 X41
1 /		11/75 X41
Motor Masse		Motor Masse
Motor Masse		Motor Masse
Motor Masse		Motor Masse



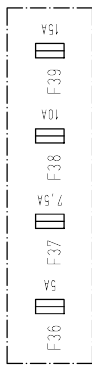
0 5 10 15 20 25 30 35 40 45 50 55 60 65 70

Legende
 A10 fusebox side console right

- F01 fuse 20A (30)
- F02 fuse 15A (30)
- F03 fuse 20A (30)
- F04 fuse 10A (15)
- F05 fuse 5A (15)
- F06 fuse 10A (15)
- F07 fuse 15A (15)
- F08 fuse 15A (7.5)
- F09 fuse 10A (7.5)
- F10 fuse 15A (7.5)
- F11 fuse 15A (7.5)
- F12 fuse 10A (5.8)
- F13 fuse 15A (30)
- F14 fuse 15A (30)
- F15 fuse 7.5A (5.7)
- F16 fuse 7.5A (5.7)
- F17 fuse 15A (30)
- F21 fuse 5A (30)
- F22 fuse 5A (30)
- F23 fuse 15A (5.8)
- F24 fuse 5A (5.8)
- F25 fuse 10A (7.5)
- F26 fuse 15A (30)
- F27 fuse 15A (15)
- F28 fuse 10A (7.5)
- F29 fuse 5A (15)
- F30 fuse 10A (7.5)
- F31 fuse 5A (30)
- F32 fuse for SOW (30)
- F33 fuse for SOW (30)
- F34 fuse for SOW (15)
- F35 fuse for SOW (5.7)
- F36 spare fuse 5A
- F37 spare fuse 7.5A
- F38 spare fuse 10A
- F39 spare fuse 15A



Ersatzsicherungen
 spare fuses

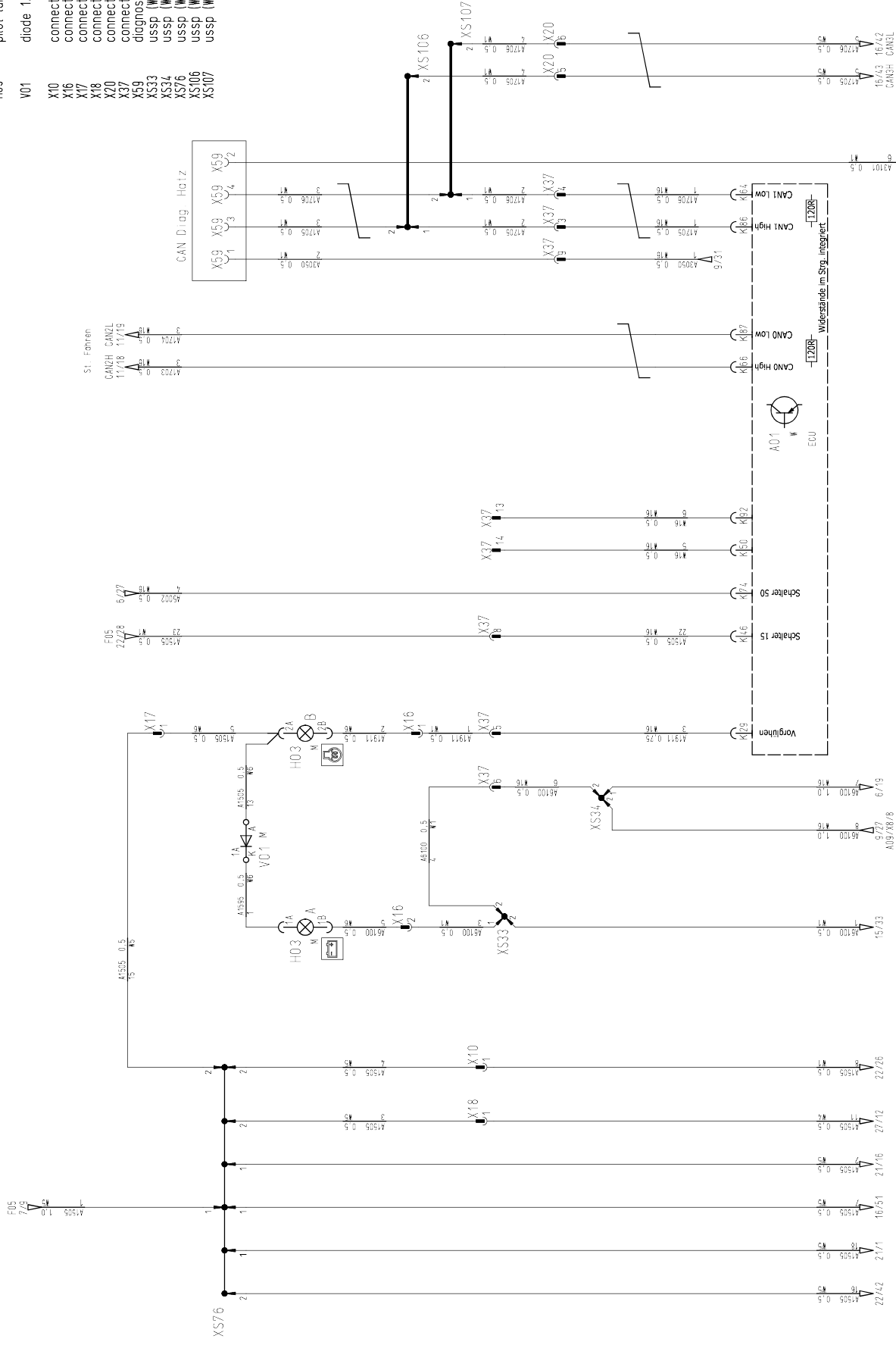


42 (No.)		Number		Change No.		Date		Name		Sponsor	
1	2x	4105-30	16.12.19	DK	DK	Drawn by	ZL/DL	DK	DK	DK	DK
Name		DKM650		Name		DKM650		Name		DKM650	
Schaltplan / circuit diagram		Replacement for same no		Change No		4105-11		Name		Schaltplan / circuit diagram	
Drawing Number		91039958		Type		L931 - 999_DS		K848-L72		No. of Sh. 46 / Sheet 7	



Legende

- A01 engine control unit Hatiz
- H03 pilot lamp battery charge / preheating
- V01 diode 1A
- X10 connector 22 pole (W1->W5)
- X16 connector 6 pole (W1->W6)
- X17 connector 22 pole (W5->W6)
- X18 connector 24 pole (W4->W5)
- X20 connector 10 pole (W1->W5)
- X37 connector 16 pole (W1->W16)
- X59 diagnosis socket 4 pole Hatiz
- ussp (W1)
- ussp (W16)
- ussp (W5)
- ussp (W1)
- ussp (W1)



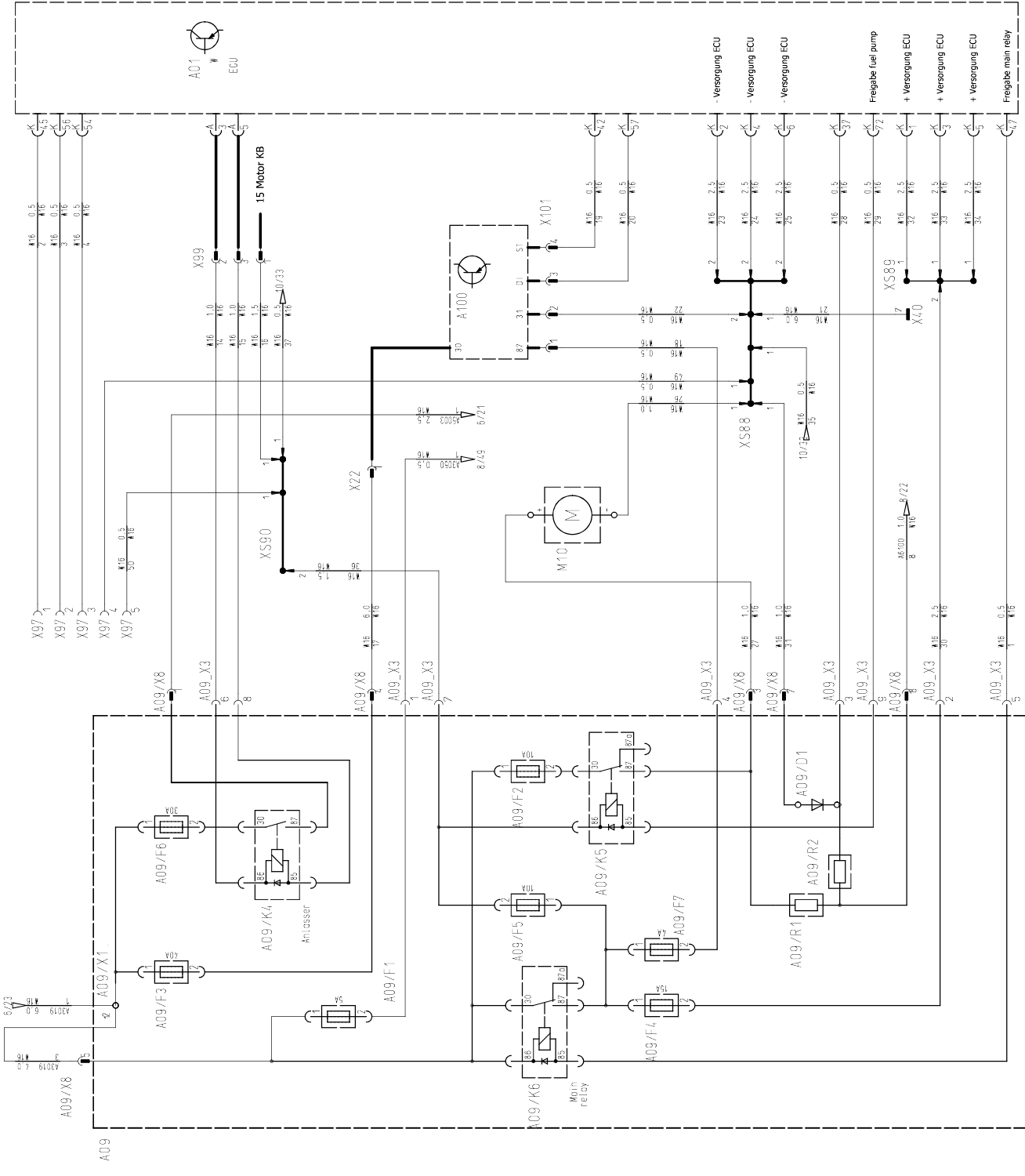
42/No. Number		4105-30		16 12 19		DK		2018		Date		Name		4105-11		Change No.		Name		Schottiplon / circuit diagram		KAB1.472		Type L91		DPP_DS		0-26000-0-01919		Drawing Number		91039958		No. of Sh. 46		Sheet 8	
1	/	4105-30	16 12 19	DK	DK	2018	24.04.18	DK	DK	DK	DK	DK	DK	DK	4105-11	DK	DK	DK	DK	DK	Schottiplon / circuit diagram	KAB1.472	Type L91	DPP_DS	0-26000-0-01919	91039958	No. of Sh. 46	Sheet 8									



Legende

- A01 engine control unit Halz
- A09/D1 Halz control modul / diode
- A09/F1 Halz control modul / fuse 5A
- A09/F2 Halz control modul / fuse 10A
- A09/F3 Halz control modul / fuse 40A
- A09/F4 Halz control modul / fuse 15A
- A09/F5 Halz control modul / fuse 10A
- A09/F6 Halz control modul / fuse 30A
- A09/F7 Halz control modul / fuse 4A
- A09/K4 Halz control modul / relais starter
- A09/K5 Halz control modul / relais fuel pump
- A09/R1 Halz control modul / main relais
- A09/R2 Halz control modul / resistor
- A09/Y1 Halz control modul / resistor
- A09/X8 Halz control modul / connecting bolt UBatt
- A09_X3 Halz control modul / connector 8pole
- A100 controller preglow

- M10 fuel pump
- X22 connector 3 pole (W16<->motor)
- X40 ground bolt M10 chassis tail
- X99 connector 6 pole (W16<->DPF heater)
- X101 connector 3 pole (W16<->harness motor)
- X588 ussp (W16)
- X589 ussp (W16)
- X590 ussp (W16)



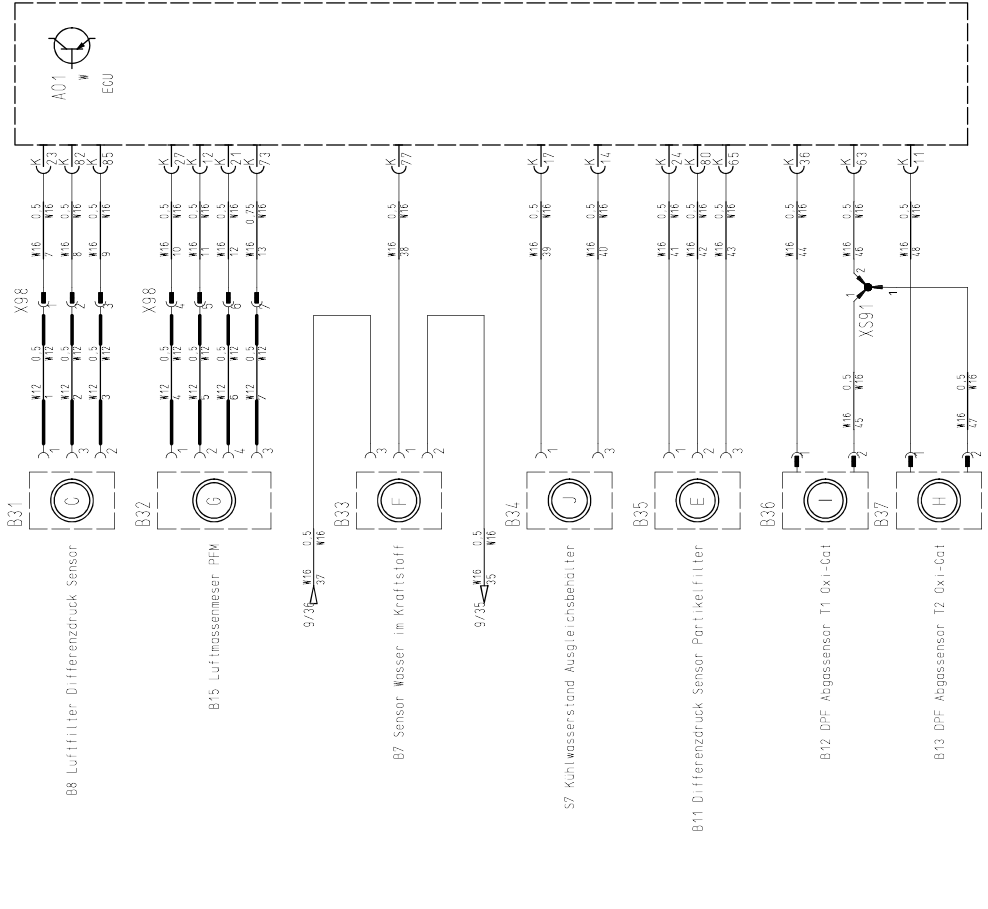
42 (No) Number		appart's Change No		Date	Name	S1 (standard)		S2 (standard)		S3 (standard)		S4 (standard)		S5 (standard)		S6 (standard)		S7 (standard)		S8 (standard)		S9 (standard)		S10 (standard)				
1	/	4105-30	16	12	19	DK	Drawn by	24	DL	DK	Verified	2018	Date	Name	DK650	Name	Schottiplon / circuit diagram											
Replacement for same no																	Change No						4105-11					
For this drawing we reserve all rights (acc. DIN ISO 9016)																												
K841-E72 Type L91_998_DS 0-280000-01/018																												
Drawing Number 91039958																												
No. of Sh. 46 Sheet 9																												



0 5 10 15 20 25 30 35 40 45 50 55 60 65 70

Legende

- A01 engine control unit Holz
- B31 air cleaner differential pressure sensor
- B32 pressure based air mass flow meter
- B33 water in fuel sensor
- B34 coolant level switch
- B35 differ. press. sensor Diesel particle filter
- B36 DPF exhaust gas temperat. sensor T1 (top)
- B37 DPF exhaust gas temperat. sensor T2 (down)
- X98 connector 8 pole(W12<->W16)
- XS91 ussp (W16)

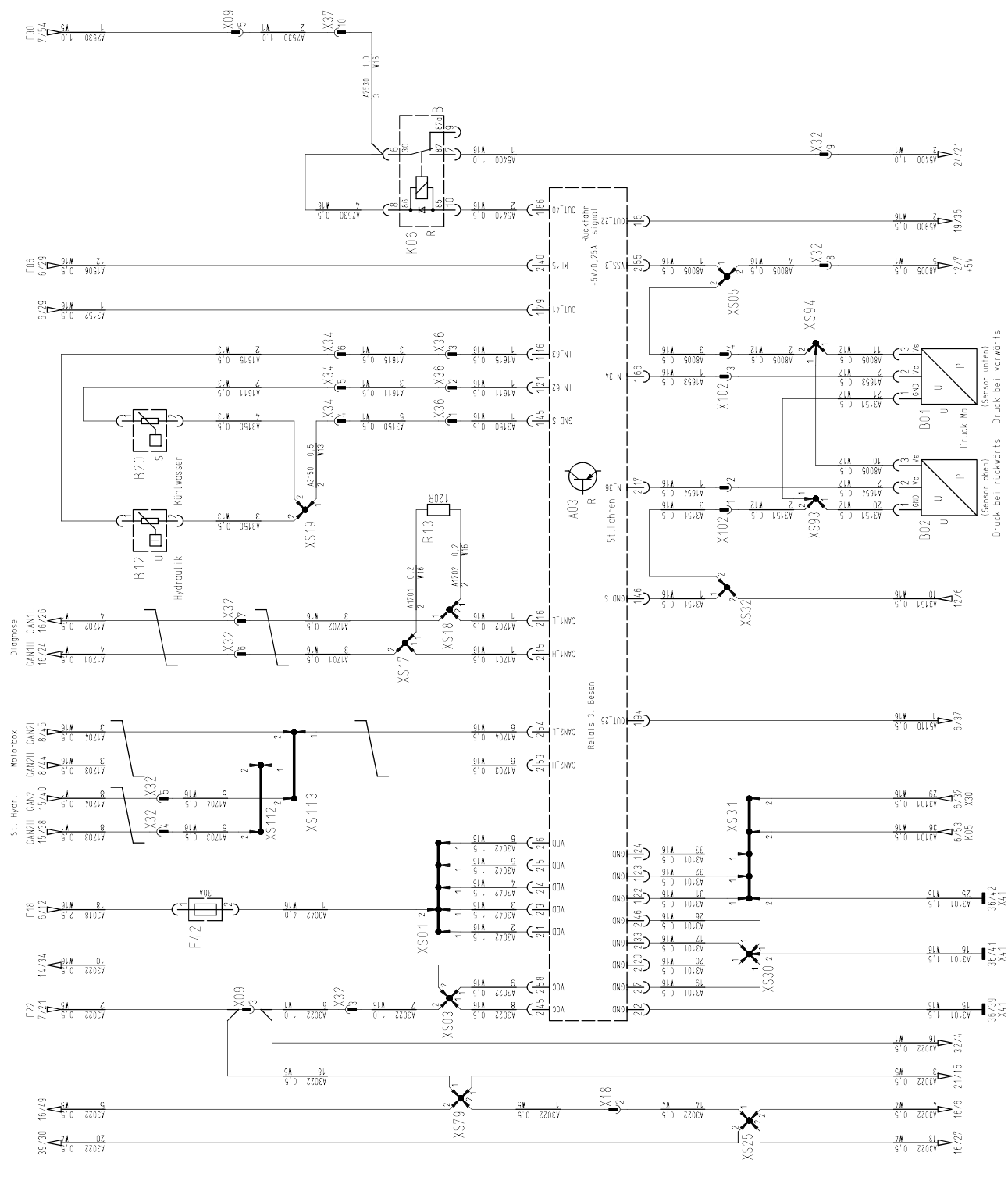


1	/	4.105.30	16.12.19	DK	2018	Date	Name	DK	2018	Date	Name	DK	2018	Date	Name	DK
42 No. Number appears Change No. Date Name S. Versand Name S. Versand Replaces for same no. Change No. 4.105-11 Name Schottiplon / circuit diagram For this drawing we reserve all rights. (acc. DIN ISO 15076)																
												Drawing Number 91039958				
												No. of Sh. 46 Sheet 10				

0 5 10 15 20 25 30 35 40 45 50 55 60 65 70

Legende

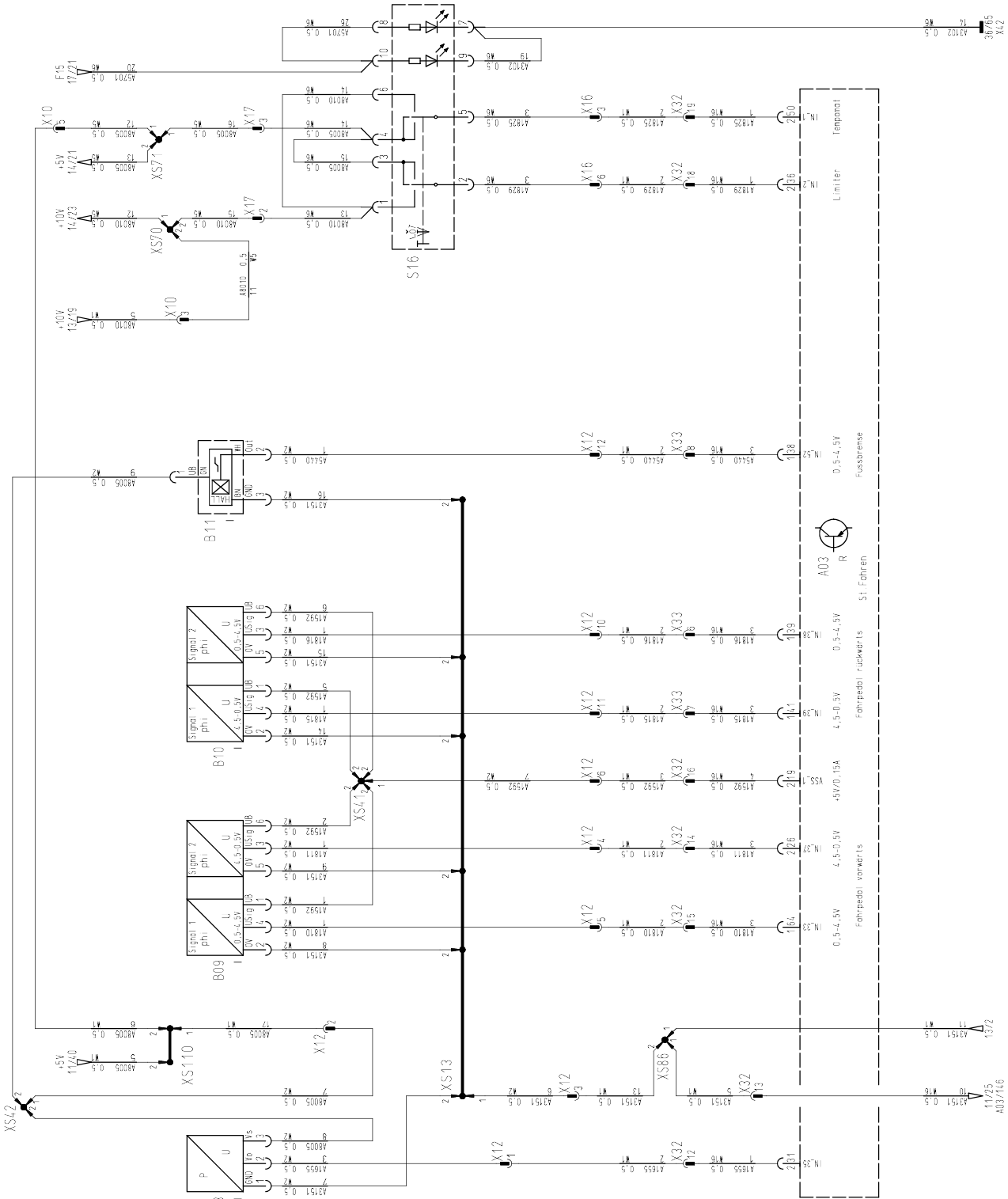
- A03 controller drive
- B01 pressure sensor pressure to drive No
- B02 pressure sensor pressure to drive No
- B12 temperature sensor hydraulic oil
- B20 temperature sensor coolant liquid
- F42 fuse 30A
- K06 relay brake light
- R13 resistor 1200hm (CANT-A03)
- X09 connector 8 pole (W1<->W5)
- X18 connector 24 pole (W4<->W5)
- X32 connector 22 pole (W1<->W16)
- X34 connector 12 pole (W1<->W13)
- X36 connector 8 pole (W16<->W13)
- X37 connector 8 pole (W1<->W16)
- X38 connector 12 pole (W1<->W16)
- XS01 ussp (W16)
- XS03 ussp (W16)
- XS05 ussp (W5)
- XS17 butt joint (W16)
- XS18 butt joint (W16)
- XS19 ussp (W13)
- XS25 ussp (W4)
- XS30 ussp (W16)
- XS31 ussp (W16)
- XS32 ussp (W16)
- XS79 ussp (W5)
- XS93 ussp (W12)
- XS94 ussp (W12)
- XS96 ussp (W12)
- XS102 ussp (W16)
- XS113 ussp (W16)



		Drawing Number 91039958
Name Schaltplan / circuit diagram		No. of Sh. 46 / Sheet 11
Date 2018		Type L91 ... DS
Drawn by 4105-30		K&B.L.72
Verified 16.12.19		For this drawing we reserve all rights. (acc. DIN ISO 15016)
Name 42		Change No. 4105-11
Name 2018		Name 42
Date 16.12.19		Date 16.12.19
Name 42		Name 42
Name 42		Name 42

Legende

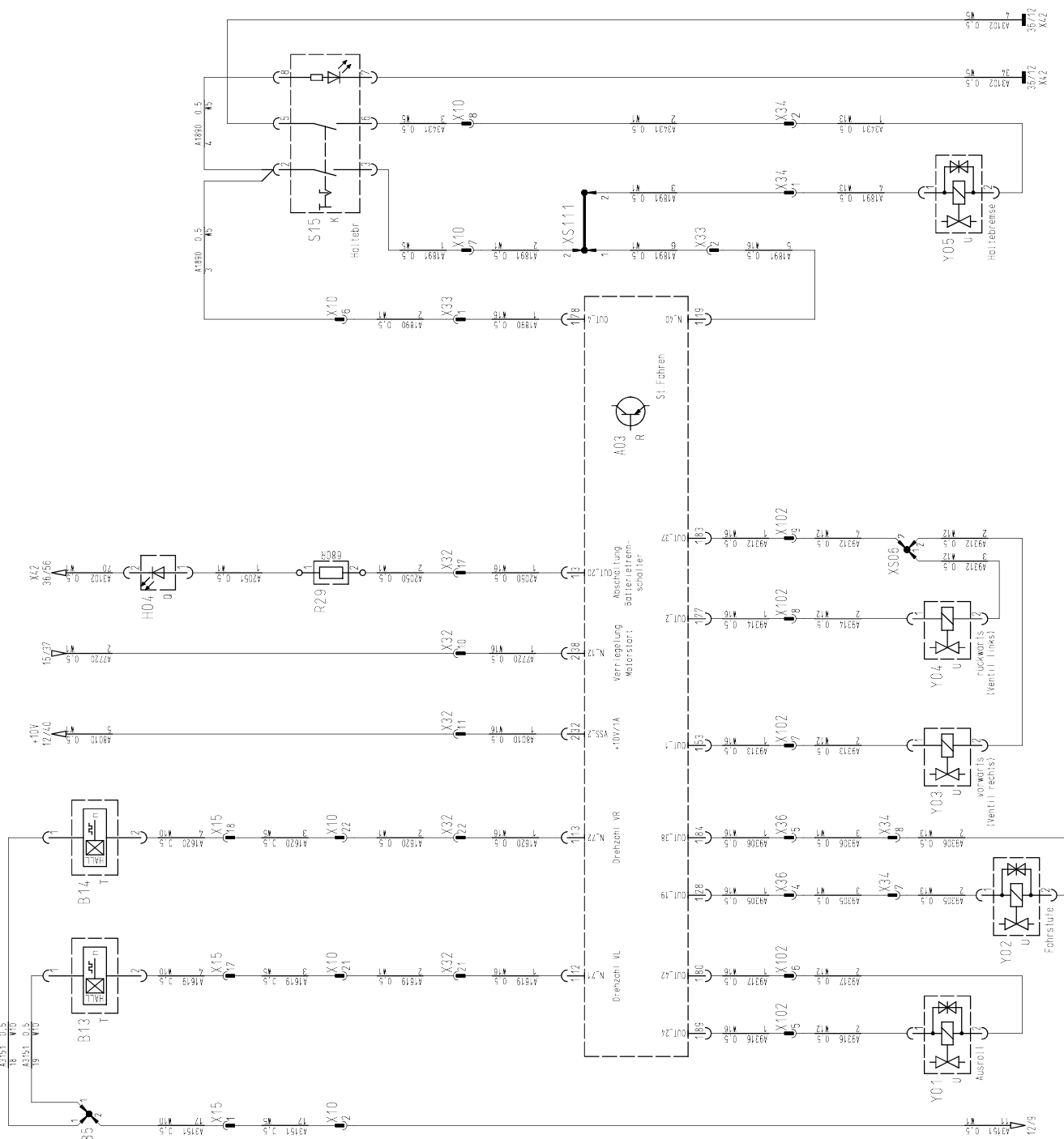
- A03 controller drive
- B03 pressure sensor brake pressure
- B09 angle sensor throttle pedal forward
- B10 angle sensor throttle pedal backward
- B11 hall sensor brake pedal
- S16 push-button cruise control/limiter
- X10 connector 22 pole (W1<->W5)
- X12 connector 12 pole (W1<->W2)
- X16 connector 6 pole (W1<->W6)
- X32 connector 22 pole (W5<->W6)
- X33 connector 22 pole (W1<->W16)
- X34 connector 12 pole (W1<->W16)
- ussp (W2)
- ussp (W2)
- ussp (W2)
- ussp (W5)
- ussp (W5)
- ussp (W1)
- ussp (W1)



42	No.	Number	appart's	Change	No.	Date	Name	Is	Version	DK	Drawn	by	24.04.2018	DK	Verified	Name	Date	Name	DK	DM650	Name
1	/	4105-30	16.12.19	DK	4105-11	4.10.11	Schottiplon / circuit diagram	Replacement	for same no	Change No	4105-11	4.10.11	DK	4105-11	4.10.11	Schottiplon	4.10.11	Schottiplon	DK	DM650	Schottiplon / circuit diagram
For this drawing we reserve all rights (acc. DIN ISO 9016)																					

Legende

- A03 controller drive
- B13 vehicle speed sensor left
- B14 vehicle speed sensor right
- H04 pilot lamp switch battery main
- R29 resistor 6800hm
- S15 switch parking brake
- X10 connector 22 pole (W1<->W5)
- X15 connector 20 pole (W5<->W10)
- X32 connector 22 pole (W1<->W16)
- X33 connector 12 pole (W1<->W16)
- X34 connector 12 pole (W1<->W13)
- X36 connector 8 pole (W16<->W13)
- X102 connector 12 pole (W12<->W16)
- XS06 ussp (W12)
- XS85 ussp (W10)
- XS111 ussp (W1)
- Y01 hydraulic valve overrun function
- Y02 hydraulic valve drive stage
- Y03 hydraulic valve driving direction forward
- Y04 hydraulic valve driving direction backward
- Y05 hydraulic valve parking brake



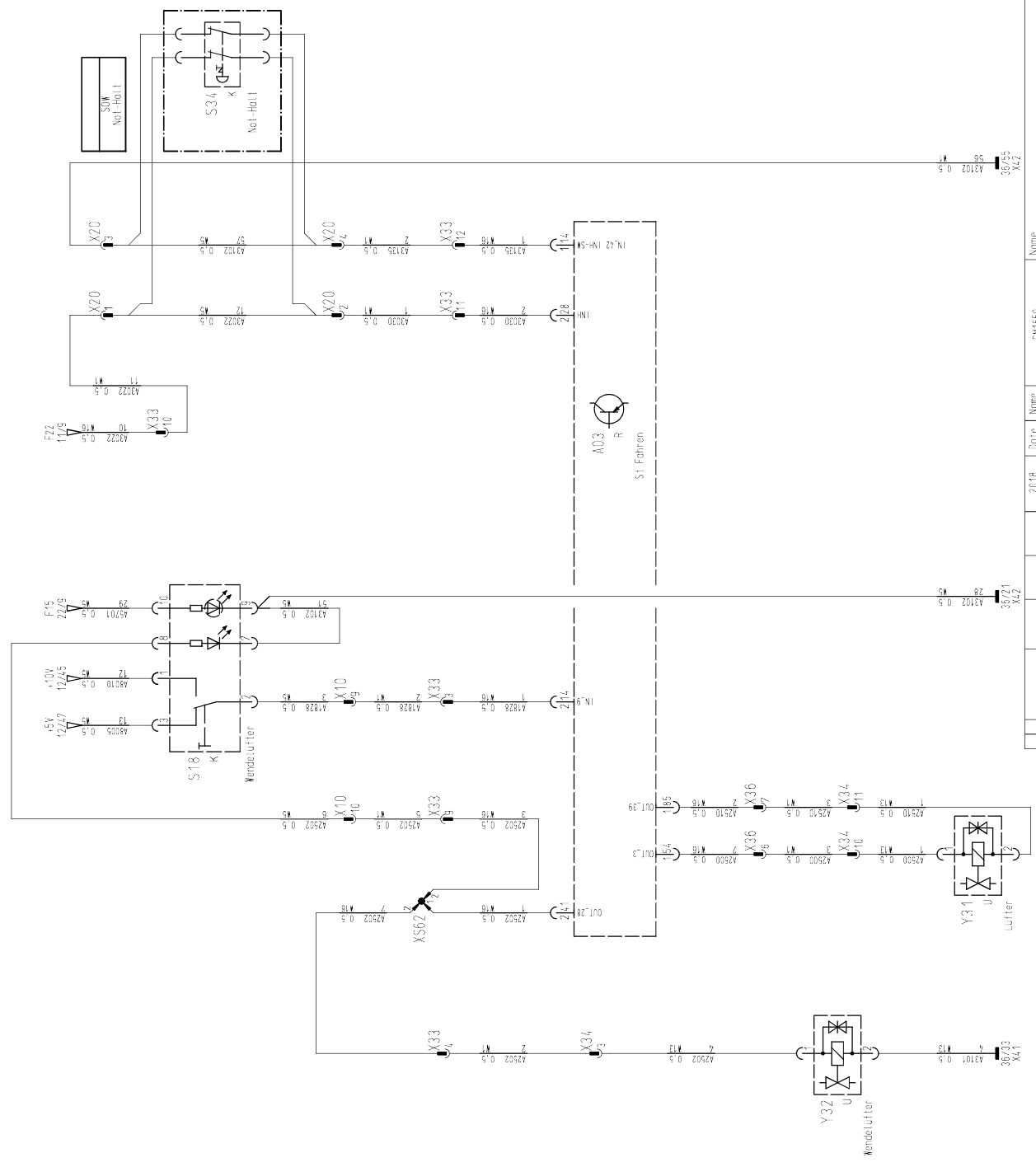
42	No.	Number	change	No.	Date	Name	S	Version	DK	16	12	19	DK	4	105	11	Change No.	4	105	11	Name	SCHULTION / circuit diagram		Name	SCHULTION	Drawing Number	91039958
																						(For this drawing we reserve all rights. (acc. DIN ISO 15076))					



0 5 10 15 20 25 30 35 40 45 50 55 60 65 70

Legende

- A03 controller drive
- S18 push-button reverse blower
- S34 push-button emergency to stop (SOW)
- X10 connector 22 pole (W1<->W5)
- X20 connector 10 pole (W1<->W5)
- X33 connector 12 pole (W1<->W16)
- X34 connector 12 pole (W1<->W13)
- X36 connector 8 pole (W16<->W13)
- XS62 ussp (W16)
- Y31 prop valve speed fan
- Y32 hydraulic valve reverse blower



42 (Not Number appears Change No)		Date		Name		Change No		4:105-11		Replacement for same no		Name		Schaltplan / circuit diagram		Drawing Number		91039958		
1	/	4:105-30	16 12 19	DK	DK	DK	DK	DK	DK	DK	DK	DK	DK	DK	DK	DK	DK	DK	DK	DK
42 (Not Number appears Change No)		Date		Name		Change No		4:105-11		Replacement for same no		Name		Schaltplan / circuit diagram		Drawing Number		91039958		
42 (Not Number appears Change No)		Date		Name		Change No		4:105-11		Replacement for same no		Name		Schaltplan / circuit diagram		Drawing Number		91039958		



0 5 10 15 20 25 30 35 40 45 50 55 60 65 70



Schaltplan / circuit diagram

Drawing Number
91039958

0-28000-000
Typo L491 - 2ppr_DS
KAB.L472

No. of Sh. 46 | Sheet 15

Name
Schaltplan / circuit diagram

Item No. 1 / 4105-30-16 12 19 DK
Drawn by 24.04. DK
Verified

Replace for same no
Change No. 4105-11

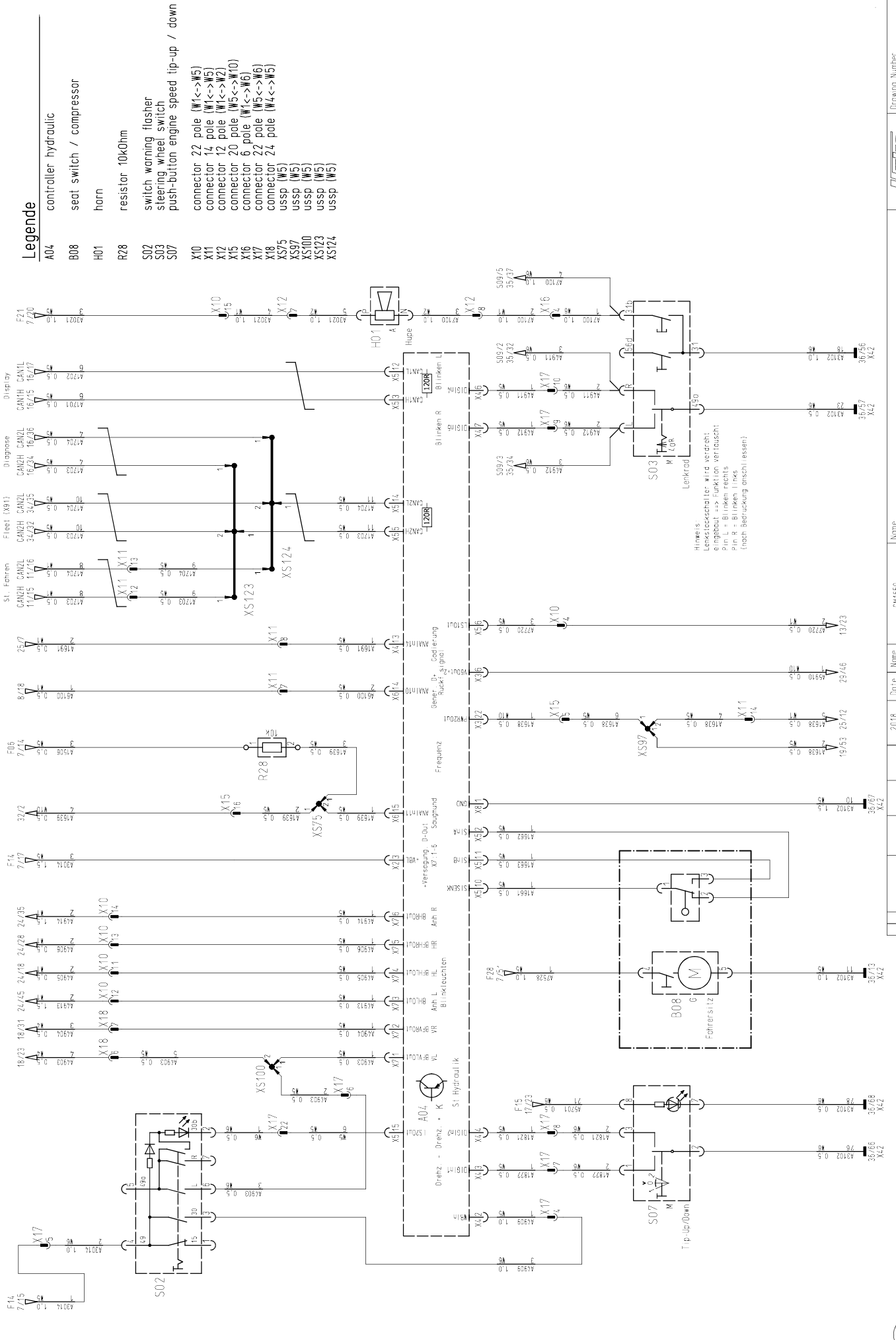
Name S. Janssen
Date

42 (Not Number appears) Change No
Date

35/66 X42
35/66 X42

35/66 X42
35/66 X42

35/66 X42



Legende

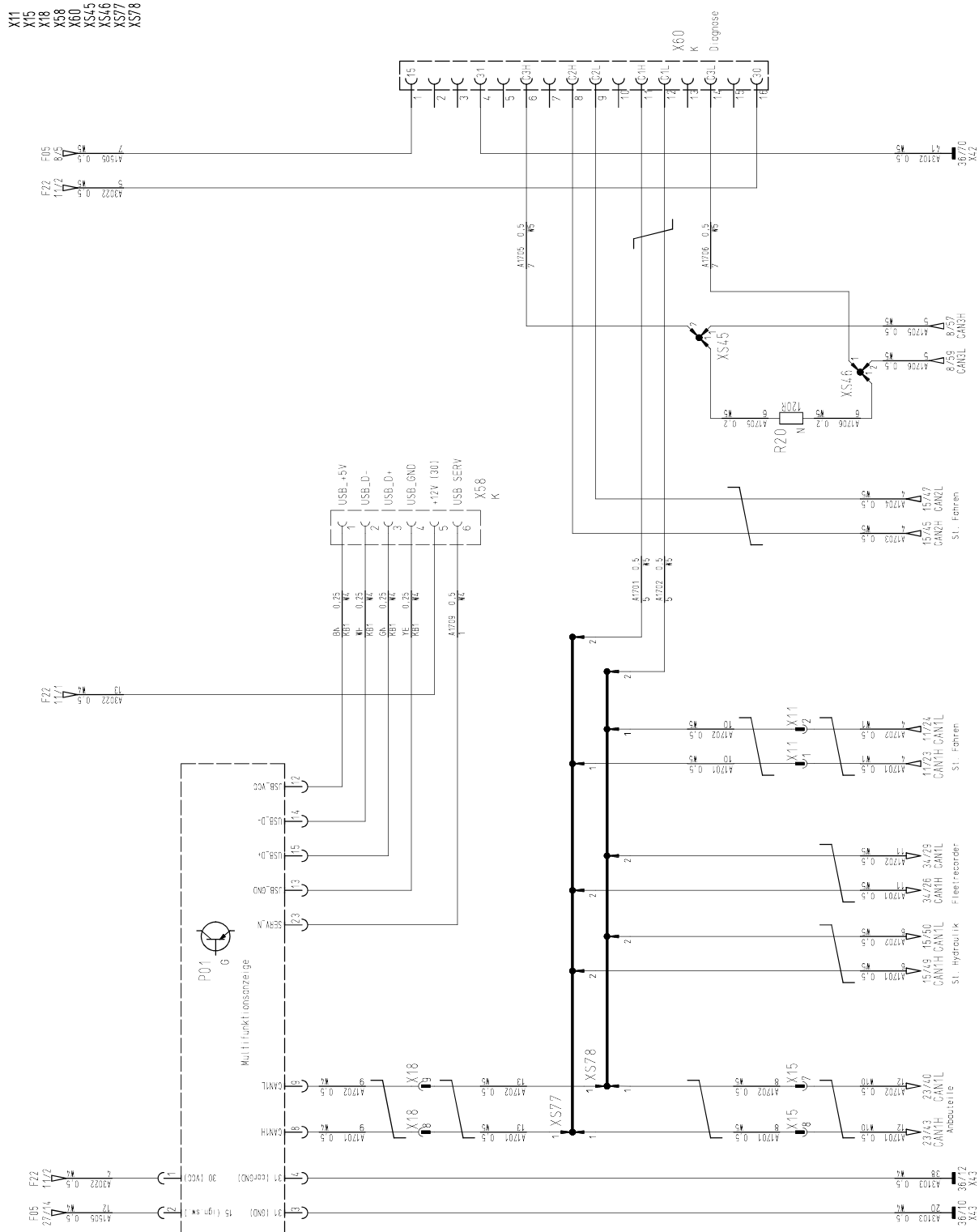
- A04 controller hydraulic
- B08 seat switch / compressor
- H01 horn
- R28 resistor 10k0hm
- S02 switch warning flasher
- S03 steering wheel switch
- S07 push-button engine speed tip-up / down
- X10 connector 22 pole (W1<->W5)
- X11 connector 14 pole (W1<->W5)
- X12 connector 12 pole (W1<->W2)
- X15 connector 20 pole (W5<->W10)
- X16 connector 6 pole (W1<->W6)
- X17 connector 22 pole (W5<->W6)
- X18 connector 24 pole (W4<->W5)
- XS75 ussp (W5)
- XS97 ussp (W5)
- XS100 ussp (W5)
- XS23 ussp (W5)
- XS74 ussp (W5)

70
65
60
55
50
45
40
35
30
25
20
15
10
5
0

0
5
10
15
20
25
30
35
40
45
50
55
60
65
70

Legende

- P01 multifunction display
- R20 resistor 1200hm (CAN1-X63)
- X11 connector 14 pole (W1<->W5)
- X15 connector 20 pole (W5<->W10)
- X18 connector 24 pole (W4<->W5)
- X58 socket 6 pole, progr. display
- X60 diagnosis socket 16 pole
- XS45 butt joint (W3)
- XS46 butt joint (W5)
- XS77 ussp (W5)
- XS78 ussp (W5)



2018	Date	Name
4/105-30	16.12.19	DK
4/105-11	4.105-11	DK

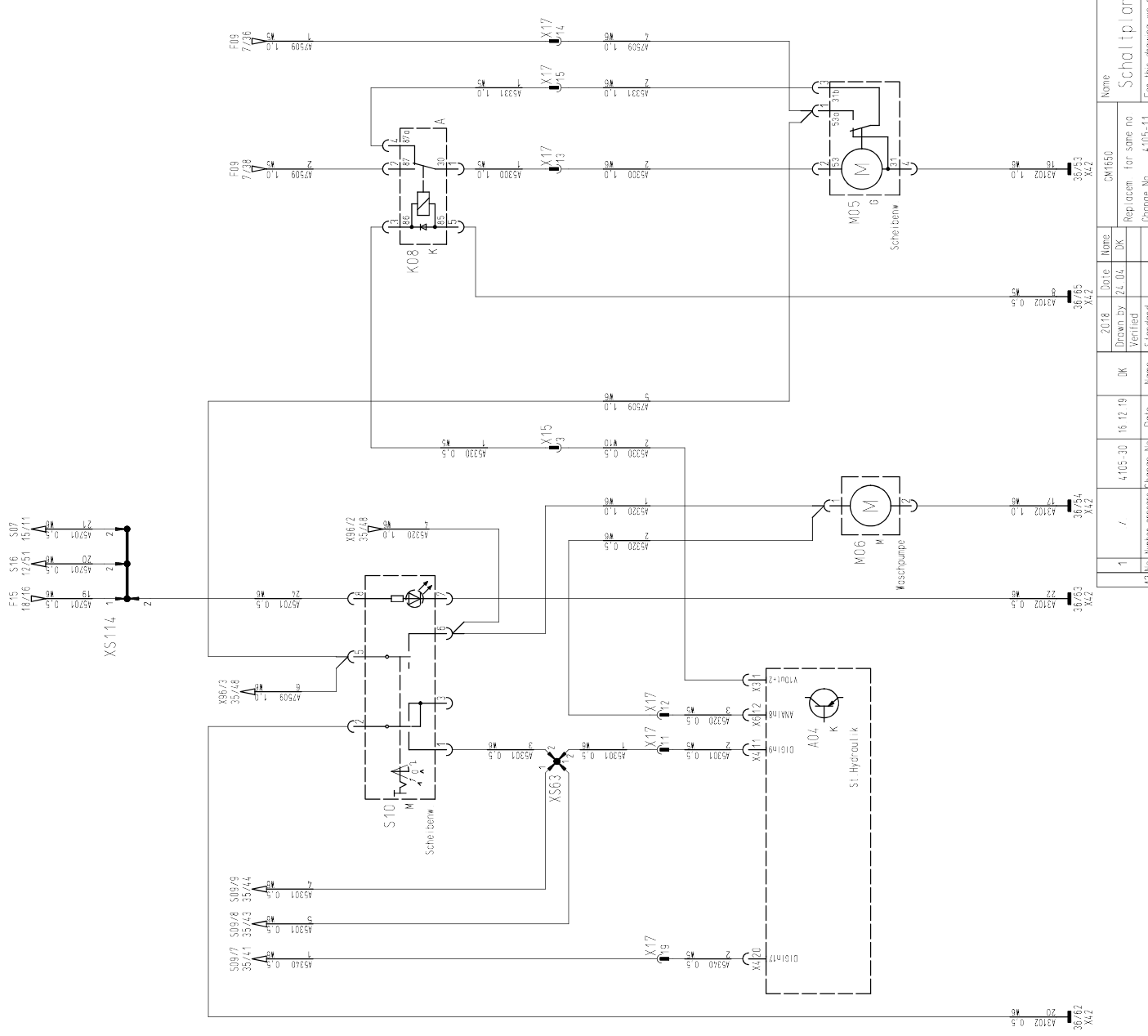
42	No.	Number	Change	No.	Date	Name	Version
1	/						

Name	DM650
Schaltplan / circuit diagram	

Drawing Number	91039958
Type	1491_000_DS
Project	0-26000-01-01-01
Revision	K481-E72
Sheet	16

Legende

- A04 controller hydraulic
- K08 relay windscreen wiper
- M05 windscreen wiper motor
- M06 windscreen washer pump
- S10 switch windscreen wiper
- X15 connector 20 pole (W5<->W10)
- X17 connector 22 pole (W5<->W6)
- XS63 ussp (W6)
- XS114 ussp (W6)



No.	Number	Change No.	Date	DK	Name
1	/	4105-30	16.12.19	DK	Schaltplan / circuit diagram
42	No.	Number	Change No.	Date	Name



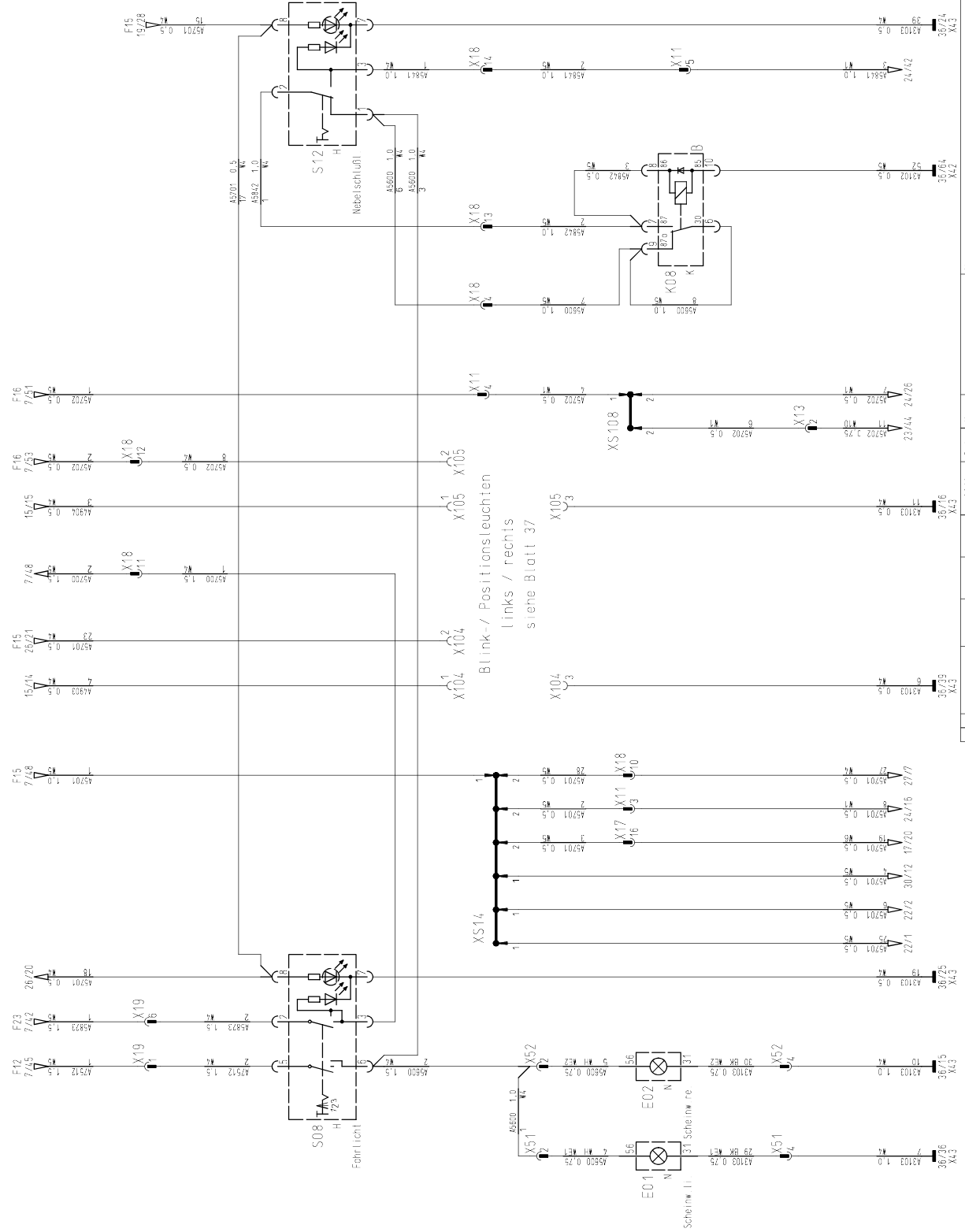
Name	Number	Date	DK	Name
Schaltplan / circuit diagram	DK1650	2018	DK	Name
Replacement for same no.		Drawn by	24.04.18	DK
Change No.	4105-11	Verified		

Drawing Number
91039958

No. of Sh. 46 | Sheet 17

Legende

- E01 headlight left
- E02 headlight right
- K08 relay fog light
- S08 switch light
- S12 switch rear fog light
- X11 connector 14 pole (W1<->W5)
- X13 connector 8 pole (W1<->W10)
- X17 connector 22 pole (W5<->W6)
- X18 connector 24 pole (W4<->W5)
- X19 connector 6 pole (W4<->W5)
- X51 connector 4 pole (W4<->W8/W4/2)
- X52 connector 4 pole (W4<->W8/W4/2)
- X104 connector 3 pole (W4<->W41/W4/3)
- X105 connector 3 pole (W4<->W41/W4/3)
- X514 ussp (W5)
- X5108 ussp (W1)



42 (No. Number appears Change No.) / 4105-30 / 16 / 12 / 19 / 0K / 2018 / Date / 24 / 04 / 2018 / Date / 23 / 04 / 2018 / Date

1 / 4105-30 / 16 / 12 / 19 / 0K / 2018 / Date / 24 / 04 / 2018 / Date / 23 / 04 / 2018 / Date

DK / Verified / DK / Replaced for same no / Change No. 4105-11

Name: Schottiplon / circuit diagram

Name: SCHOTTIPLO

Drawing Number: 91039958

Type: L91..._ppp_DS

No. of Sh. 46 / Sheet 48

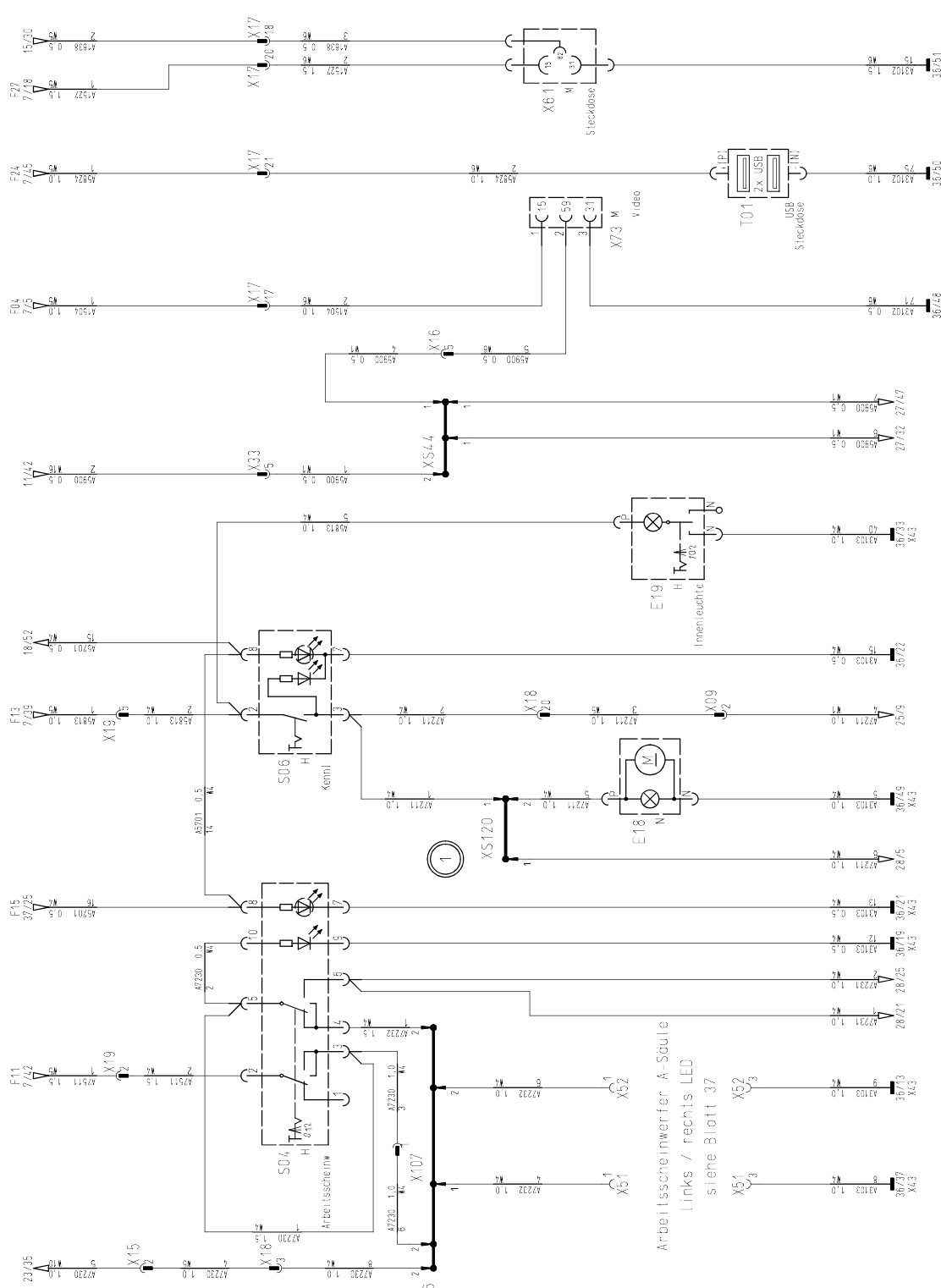
For this drawing we reserve all rights. (acc. DIN ISO 15076)

Legende

- E18 rotating beacon lamp
- E19 interior lamp standard
- S04 switch work lights A-pillar a. cabin top
- S06 switch beacon lamp
- T01 USB plug socket

- X09 connector 8 pole (W1->W5)
- X15 connector 20 pole (W5<->W10)
- X16 connector 6 pole (W1<->W6)
- X17 connector 22 pole (W5<->W6)
- X18 connector 24 pole (W4<->W5)
- X19 connector 6 pole (W4<->W5)
- X33 connector 12 pole (W1<->W16)
- X51 connector 4 pole (W4<->W8/W4.2)
- X52 connector 4 pole (W4<->W8/W4.2)
- X61 socket 3 pole
- X73 connector 3 pole video (W6)
- X107 connector 1 pole (W4<->W4)
- XS44 ussp (W1)
- XS96 ussp (W4)
- XS120 ussp (W4)

1



Schalter S04 Schaltungsart
 0/1/2 Schalter als Zuschaltung (Standard)
 X107 BU-Gehäuse mit
 X107 ST-Gehäuse zusammenstecken

 0/1/2 Schalter als Wechselschaltung (SCW)
 X107 BU-Gehäuse mit
 X107 ST-Gehäuse nicht zusammenstecken

Schaltplan / circuit diagram

Name		SKM550	
Schaltplan / circuit diagram			
Drawing Number		91039958	
Type		Type: L91 - 999_DS	
Revision		0-280 (16) - 01919e	
KAB: L72		Type: L91 - 999_DS	
No. of Sh. 46		Sheet 19	

No.	1	2x	4105-30	16.12.19	DK	2018	Date	Name	DK
Name	Replacement for same no		Change No	4105-11		Drawn by	DK	24.04	DK
Verified			Change No	4105-11		Verified			
Author			Change No	4105-11		Verified			

42 (No.)		Number appears Change No	
1	2x	4105-30	16.12.19
DK		2018	Date
Name	DK	24.04	DK

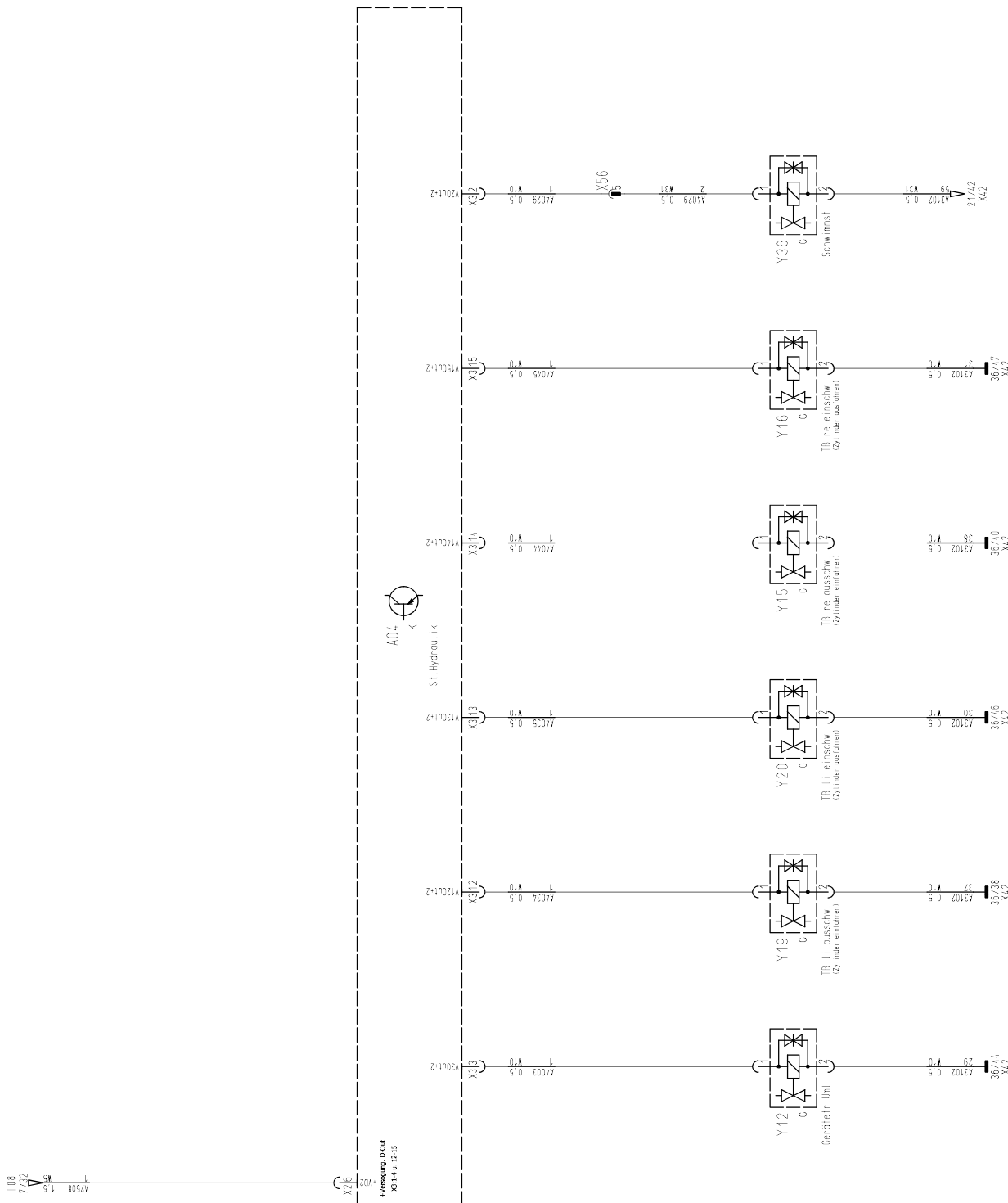
Arbeitsscheinwerfer A-Säule
 links / rechts LED
 siehe Blatt 37





Legende

- A04 controller hydraulic
- X56 connector 6 pole (W10<->W31)
- Y12 hydraulic valve front carrier circ.
- Y15 hydraulic valve actuator right pos. P/T
- Y16 hydraulic valve actuator right pos. T/P
- Y19 hydraulic valve actuator left pos. P/T
- Y20 hydraulic valve actuator left pos. T/P
- Y36 hydraulic valve floating position



42	No.	Number	change	No.	Date	Name	5	verified	by	24	04	DK
1	/	4105-30	16	12	19	DK						
Name: Schottiplon / circuit diagram												
For this drawing we reserve all rights (acc. DIN ISO 15076)												
KAB: E72 Type L91 ... 999_DS												
Drawing Number: 91039958												
No. of Sh. 46 Sheet 20												



Legende

A04 controller hydraulic

K10 relay release

X13 connector 8 pole (W1<->W10)

X56 connector 6 pole (W10<->W31)

XS47 butt joint (W31)

Y13 hydr.valve front carrier released

Y14 hydraulic valve front carrier up

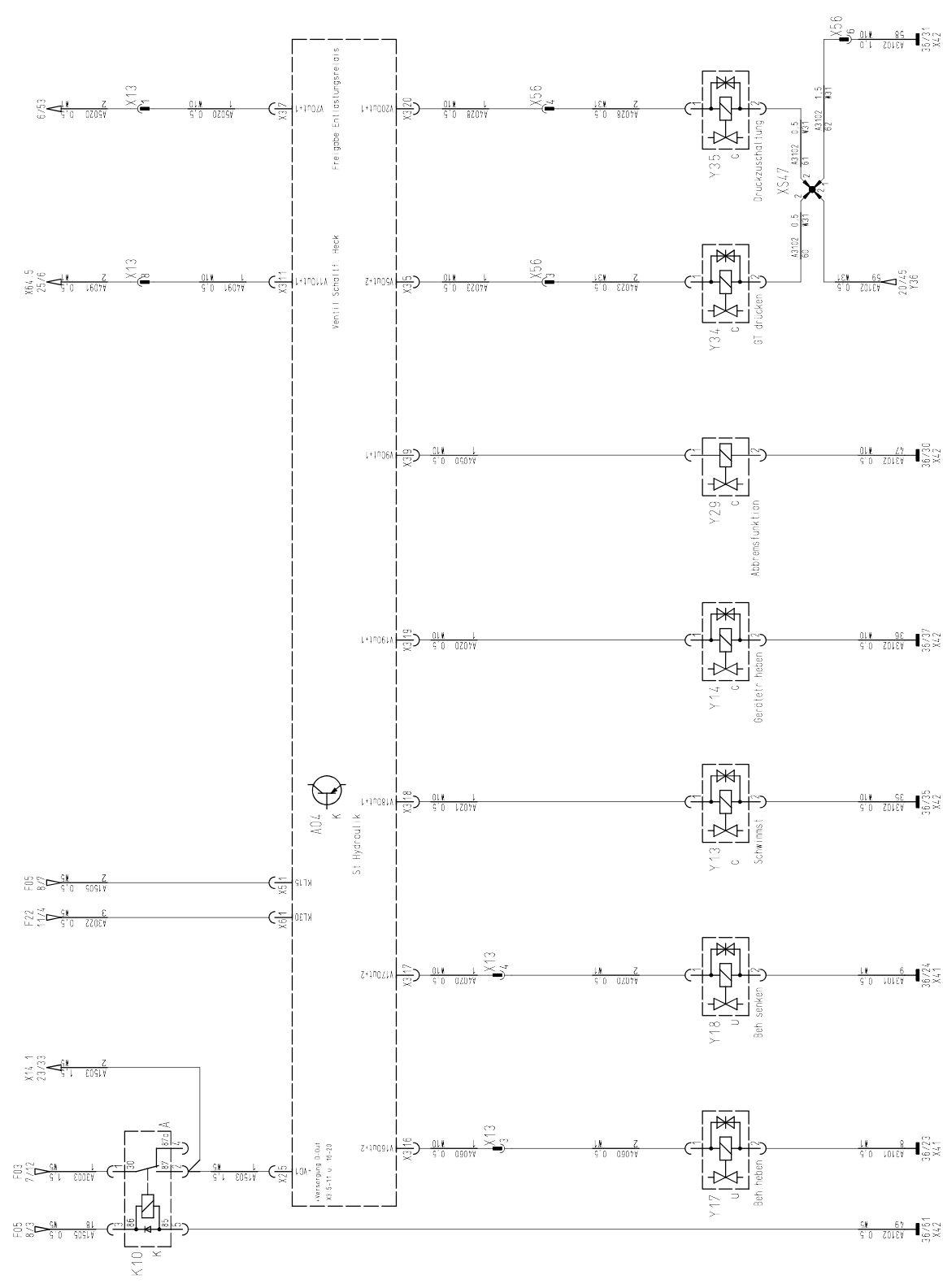
Y17 hydraulic valve hopper up

Y18 hydraulic valve hopper down

Y29 hydraulic valve stop func. front attachment

Y34 hydraulic valve front attachment press

Y35 hydraulic valve pressure switched on



No.	Number	appor's	Change	No.	Date	Name	
1	/	4.105-30	16.12.19	DK	2018	DK	
2	42	Number	appor's	Change	No.	Date	Name
				4.105-11	4.105-11	DK	DK
Replacem. for same no. Change No. 4.105-11							

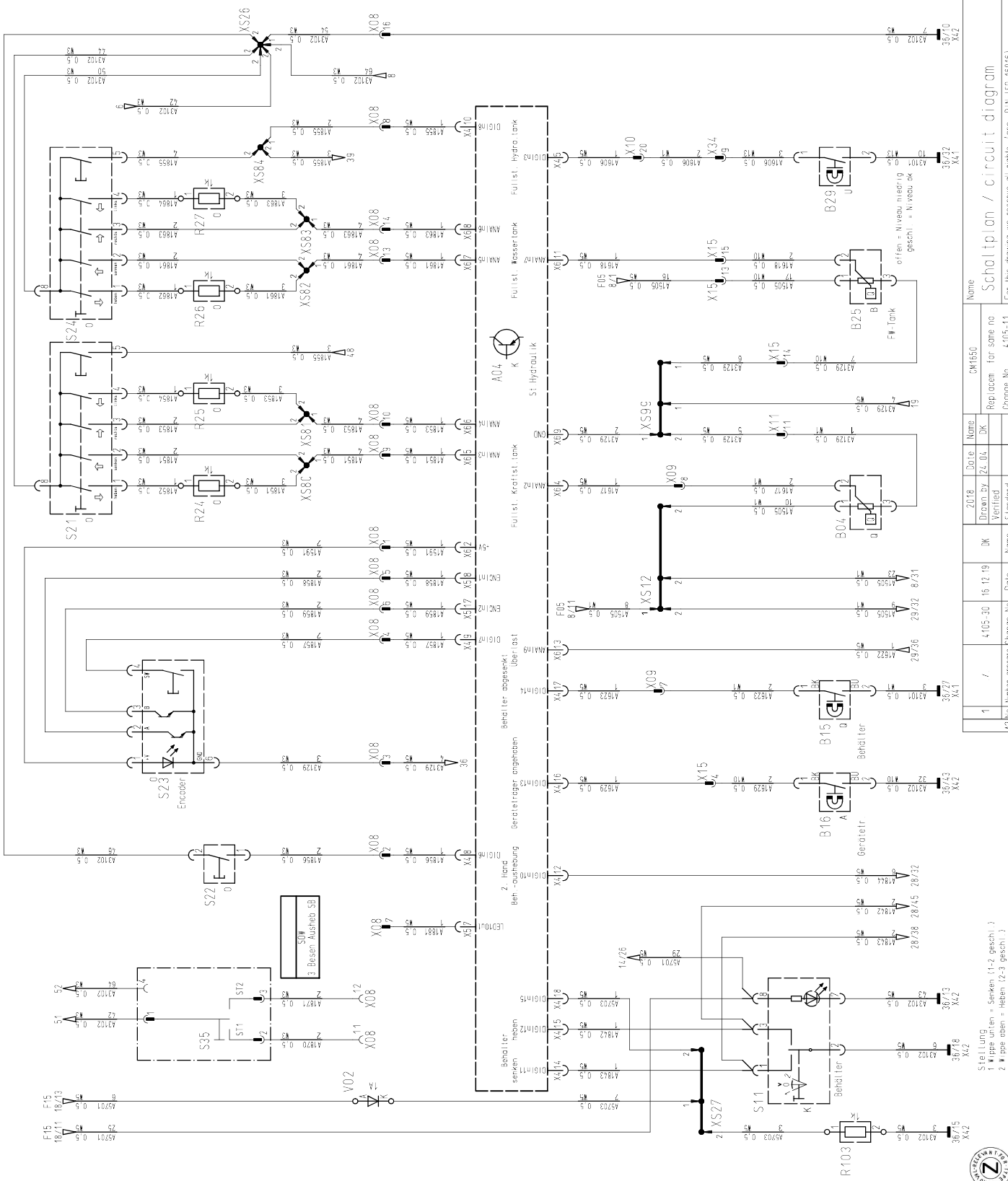
Name	DM650
Schaltplan / circuit diagram	

Drawing Number	91039958
Type	L91..._DPS_DS
Project	0-260106-01/serie
Author	KAB.L72
Check	
Date	
Scale	
Sheet	21

0 5 10 15 20 25 30 35 40 45 50 55 60 65 70

Legende

- A04 controller hydraulic
- B04 fuel level sensor
- B15 hopper reed sensor
- B16 carrier reed sensor
- B25 level sensor water tank
- B29 level sensor hydraulic oil tank
- R24 resistor 1kOhm
- R25 resistor 1kOhm
- R26 resistor 1kOhm
- R27 resistor 1kOhm
- R103 resistor 1k
- S11 push-button switch hopper up/down
- S21 joystick switch left hydraulics
- S22 push-button switch working mode
- S23 encoder switch with push-button
- S24 joystick switch right hydraulics
- S35 push-button lift side broom left/right (SOW)
- V02 diode 1A
- X08 connector 16 pole (W3<->W5)
- X09 connector 8 pole (W1<->W5)
- X10 connector 22 pole (W1<->W5)
- X11 connector 14 pole (W1<->W5)
- X15 connector 20 pole (W5<->W10)
- X34 connector 12 pole (W1<->W13)
- XS12 ussp (W1)
- XS26 ussp (W3)
- XS27 ussp (W5)
- XS80 ussp (W3)
- XS81 ussp (W3)
- XS82 ussp (W3)
- XS83 ussp (W3)
- XS84 ussp (W3)
- XS99 ussp (W5)



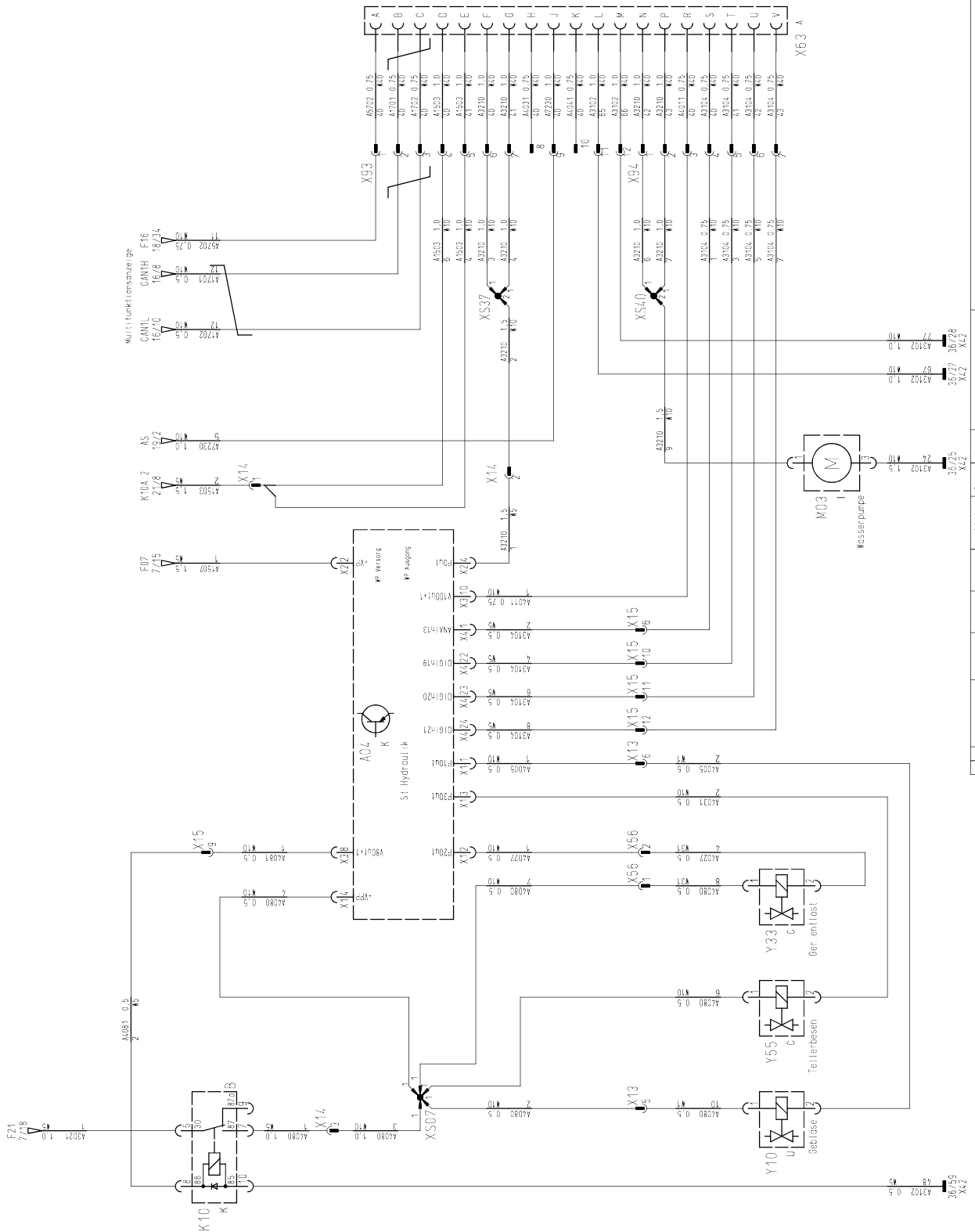
		Drawing Number 91039958	
Name Schaltplan / circuit diagram		Type: L91_090_DS K48: L72	
Name DK650		Name DK	
Replaced for same no Change No. 4105-11		Date 2018	
For this drawing we reserve all rights (acc. D.I.N. ISO 15016)		Date 16.12.19	
42 (No. Number appears) Change No.		Date 29/02/2021	
1		Name S. Venzler	
36/718 X42		36/713 X42	
36/717 X41		36/713 X42	
36/710 X42		36/713 X42	

Stellung
 1 * mitte unten = Senken (1-2 gesch.)
 2 * mitte oben = Heben (2-3 gesch.)

0 5 10 15 20 25 30 35 40 45 50 55 60 65 70

Legende

- A04 controller hydraulic
 K10 relay voltage + prop.valve
 M03 spraying pump
 X13 connector 8 pole (W1<->W10)
 X14 connector 3 pole (W5<->W10)
 X15 connector 20 pole (W5<->W10)
 X36 connector 6 pole (W10<->W31)
 X63 socket 19 pole front attachment
 X94 connector 12 pole (W10<->W40)
 X94 connector 8 pole (W10<->W40)
 XS07 ussp (W10)
 XS27 ussp (W10)
 XS40 ussp (W10)
 Y10 prop.valve fan
 Y33 prop.valve front attachment dispress.
 Y55 prop.valve rotation speed broom



Name		Schaltplan / circuit diagram
Drawing Number		91039958
Type		K48L E72
No. of Sh. of		999_DS

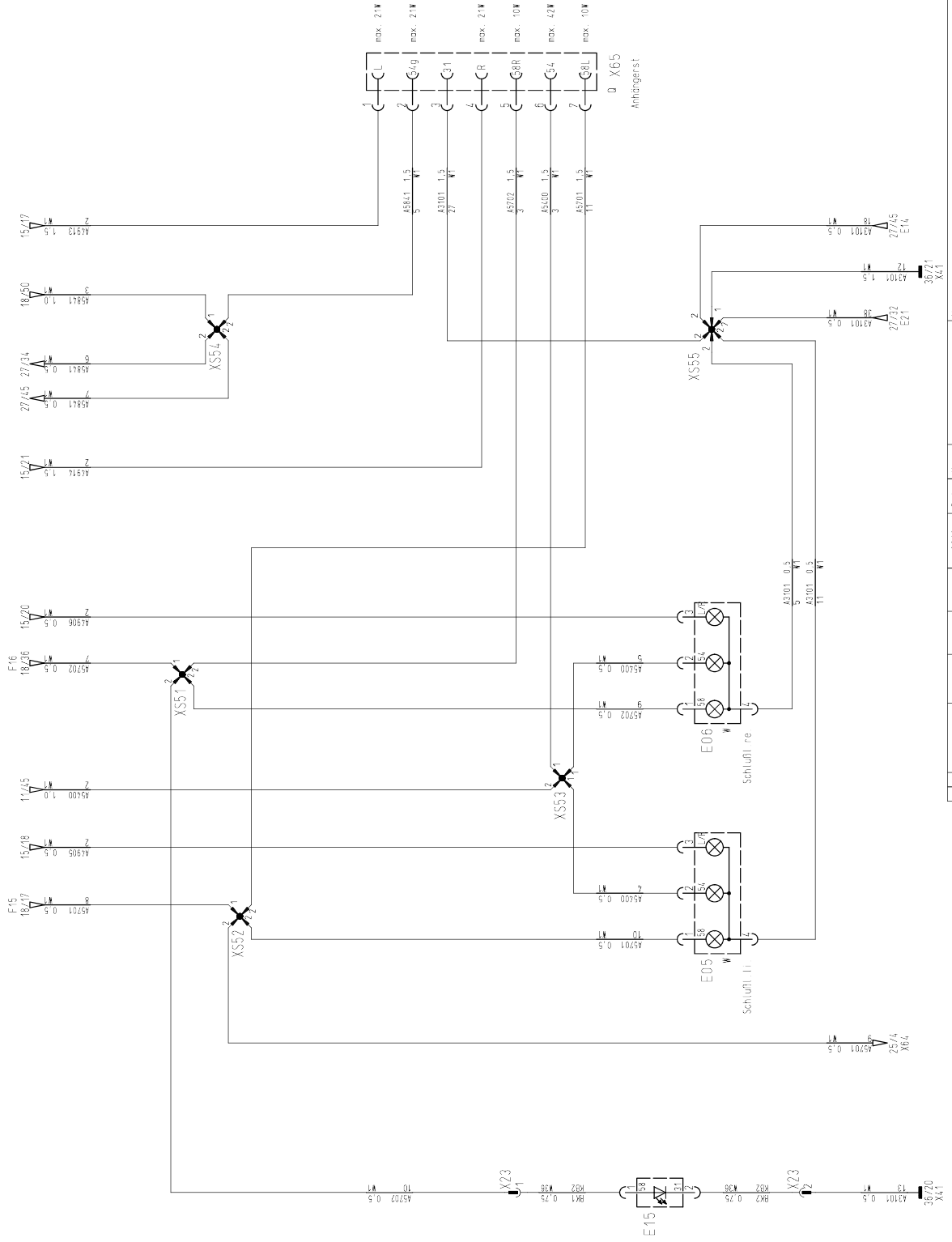
Name		SK1650
Date		2018
Drawn by		ZL DL DK
Verified		
Replacement for same no.		4105-11
Change No.		4105-11

Name		M03
Date		2018
Drawn by		ZL DL DK
Verified		
Replacement for same no.		
Change No.		

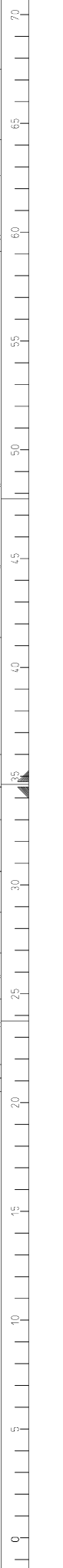
Name		M03
Date		2018
Drawn by		ZL DL DK
Verified		
Replacement for same no.		
Change No.		

42	No.	Number	changes	No.	Date	Name	Legend
1	/	4105-30	16	12	19	DK	Verified
36	A99	X4.2					

- Legende**
- E05 toil light left
 - E06 toil light right
 - E15 license plate light
 - X23 connector 2 pole (W1<->W36)
 - X65 trailer socket 7 pole
 - X551 ussp (W1)
 - X552 ussp (W1)
 - X553 ussp (W1)
 - X554 ussp (W1)
 - X555 ussp (W1)

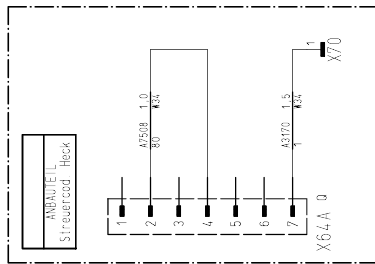
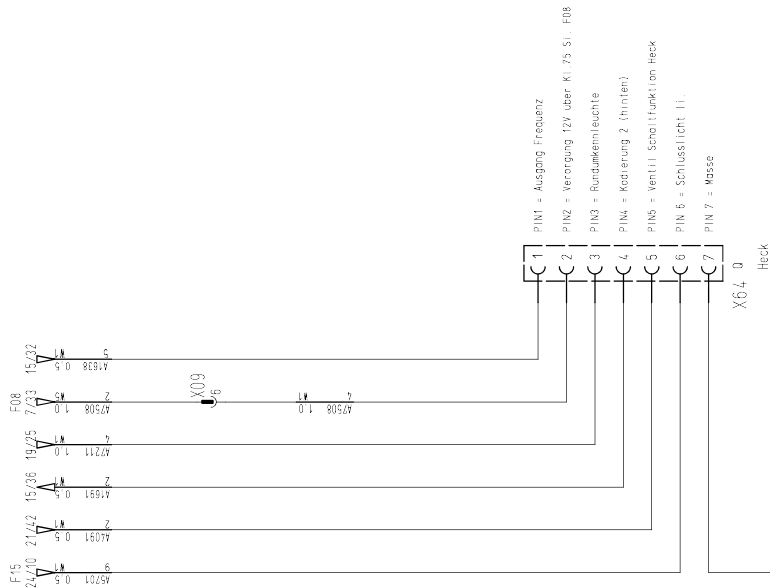


1 /		4105-30		16 12 19		DK		Name: Ljensford		Name: Schlußli re		Name: Schlußli on / circuit diagram		KAB. L72 Typo L491 - 900_DS		Drawing Number: 91039958		No. of Sh. 46 / Sheet 24	
42 (No) Number of Changes		Change No		4105-11		Replacen for same no		Name: DK		Name: DK		Name: DK		Name: 0-2501 (0-2) Base		Typo L491 - 900_DS		Sheet 24	



Legende

- X09 connector 8 pole (W(<->W5))
- X64 socket 7 pole rear
- X64A plug 7 pole coding spreader rear
- X70 ground bolt M6 coding spreader rear



1	/	4.105-30	16.12.19	DK	Name	DK
---	---	----------	----------	----	------	----

42	No. Number	change	No.	Date	Name	S. Versand
----	------------	--------	-----	------	------	------------

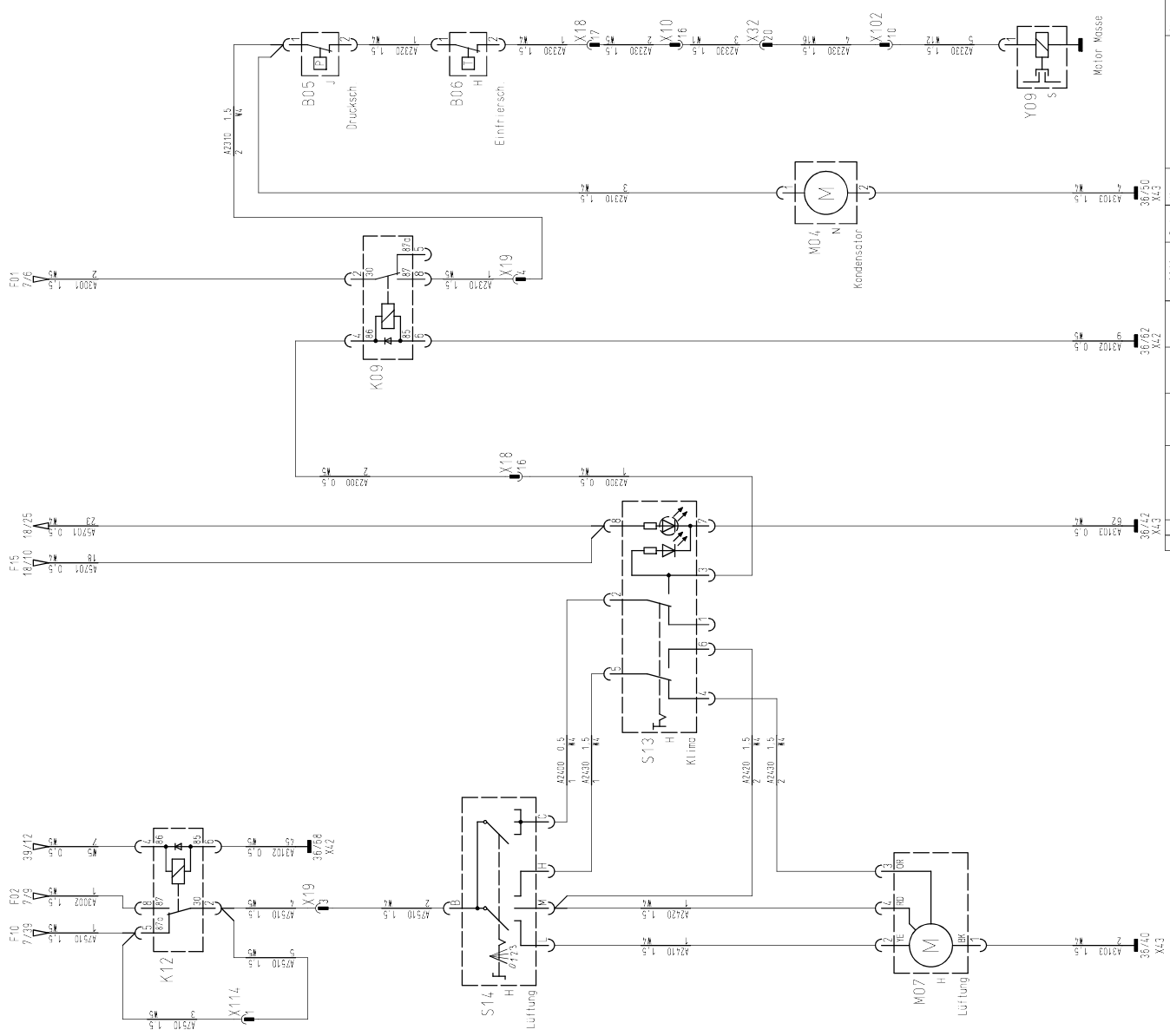
5M1650	Name	DK
4.105-11	Replacem. for same no	DK
4.105-11	Change No.	DK


Schaltplan / circuit diagram	Name	DK
For this drawing we reserve all rights (acc. DIN ISO 15076)	Name	DK

91039958	Drawing Number	DK
91039958	No. of Sh. 46	DK
91039958	Sheet 25	DK

Legende

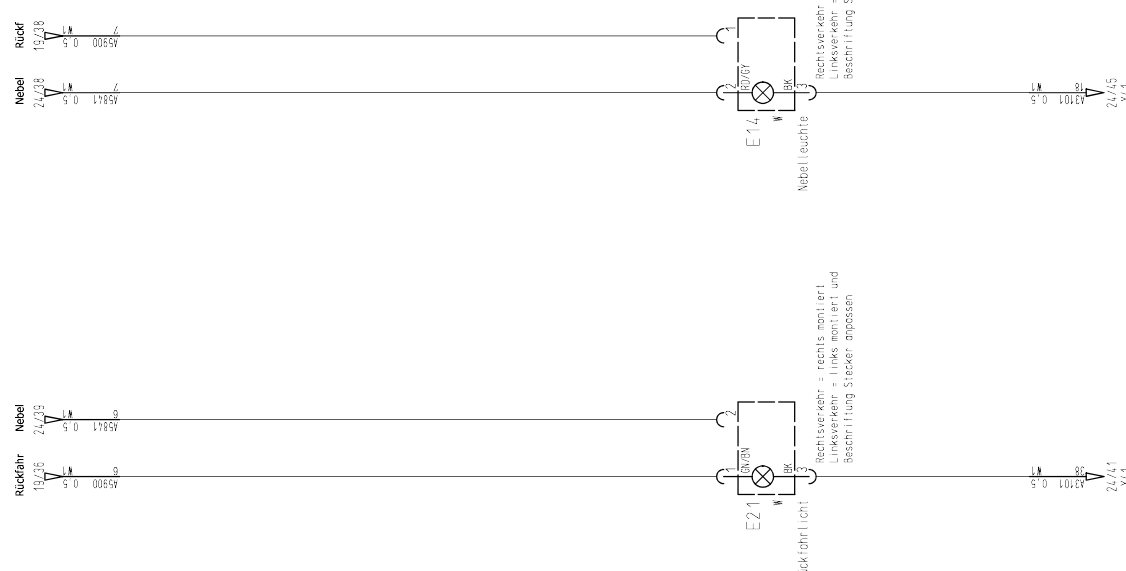
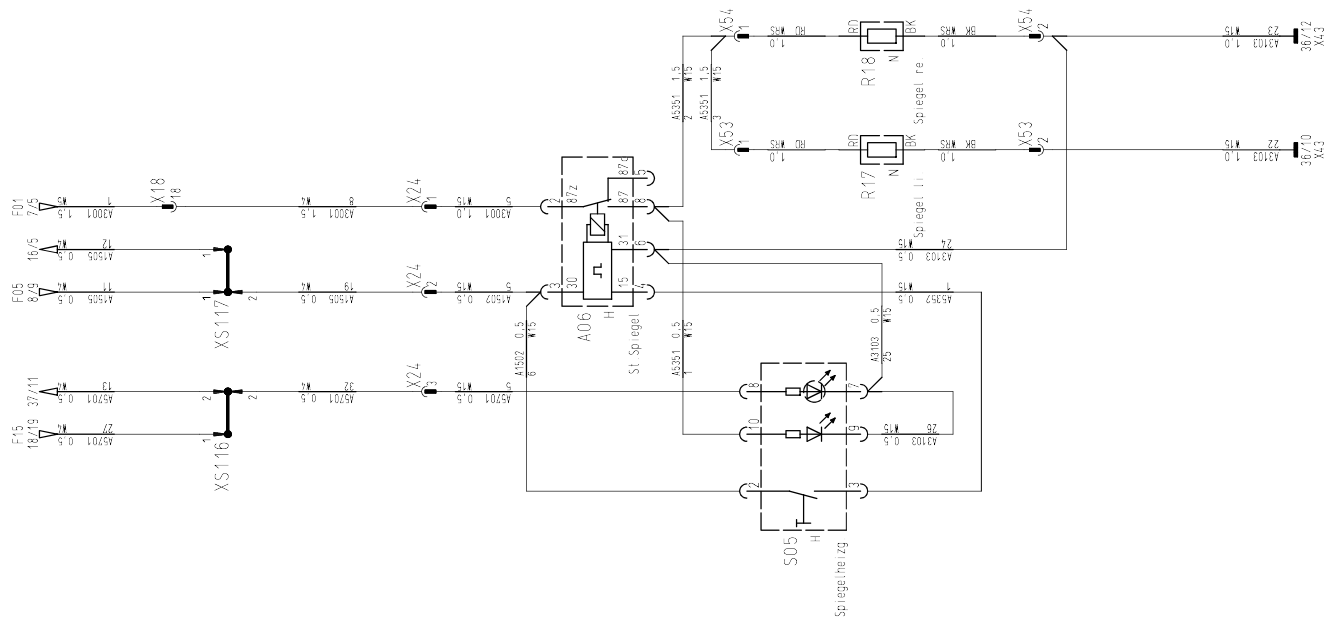
- B05 pressure switch AC
- B06 freeze switch AC
- K09 relay AC system
- K12 relay auxiliary heating system
- M04 condensor fan
- M07 heating fan
- S13 switch AC
- S14 rotary switch heating fan
- X10 connector 22 pole (W1<->W5)
- X18 connector 24 pole (W4<->W5)
- X19 connector 6 pole (W4<->W5)
- X32 connector 22 pole (W1<->W16)
- X102 connector 12 pole (W12<->W16)
- X114 connector 1 pole (W5<->W5)
- Y09 clutch compressor AC



		Drawing Number 91039958
Schaltung / circuit diagram		No. of Sh. 46 Sheet 26
(For this drawing we reserve all rights. Dec. DIN ISO 15076)		Type L491 ... 999_DS 0-250000-01-01-01
42 (No.)	Number	1
41 (No.)	Name	DM650
40 (No.)	Date	2018
39 (No.)	Drawn by	DL DL DK
38 (No.)	Verified	[Signature]
37 (No.)	Date	16.12.19
36 (No.)	Name	S. Jansard
35 (No.)	Change No.	4105-11
34 (No.)	Replaces for same no.	[Signature]
33 (No.)	Change No.	4105-11

Legende

- A06 controller mirror heating
- E14 rear fog lamp
- EZ1 reversing light
- R17 mirror heating left (opt.)
- R18 mirror heating right (opt.)
- S05 push-button mirror heating
- X18 connector 24 pole (W4<->W5)
- X24 connector 4 pole (W4<->W15)
- X53 connector 2 pole (W15<->R17)
- X54 connector 2 pole (W15<->R18)
- XS116 ussp (W4)
- XS117 ussp (W4)



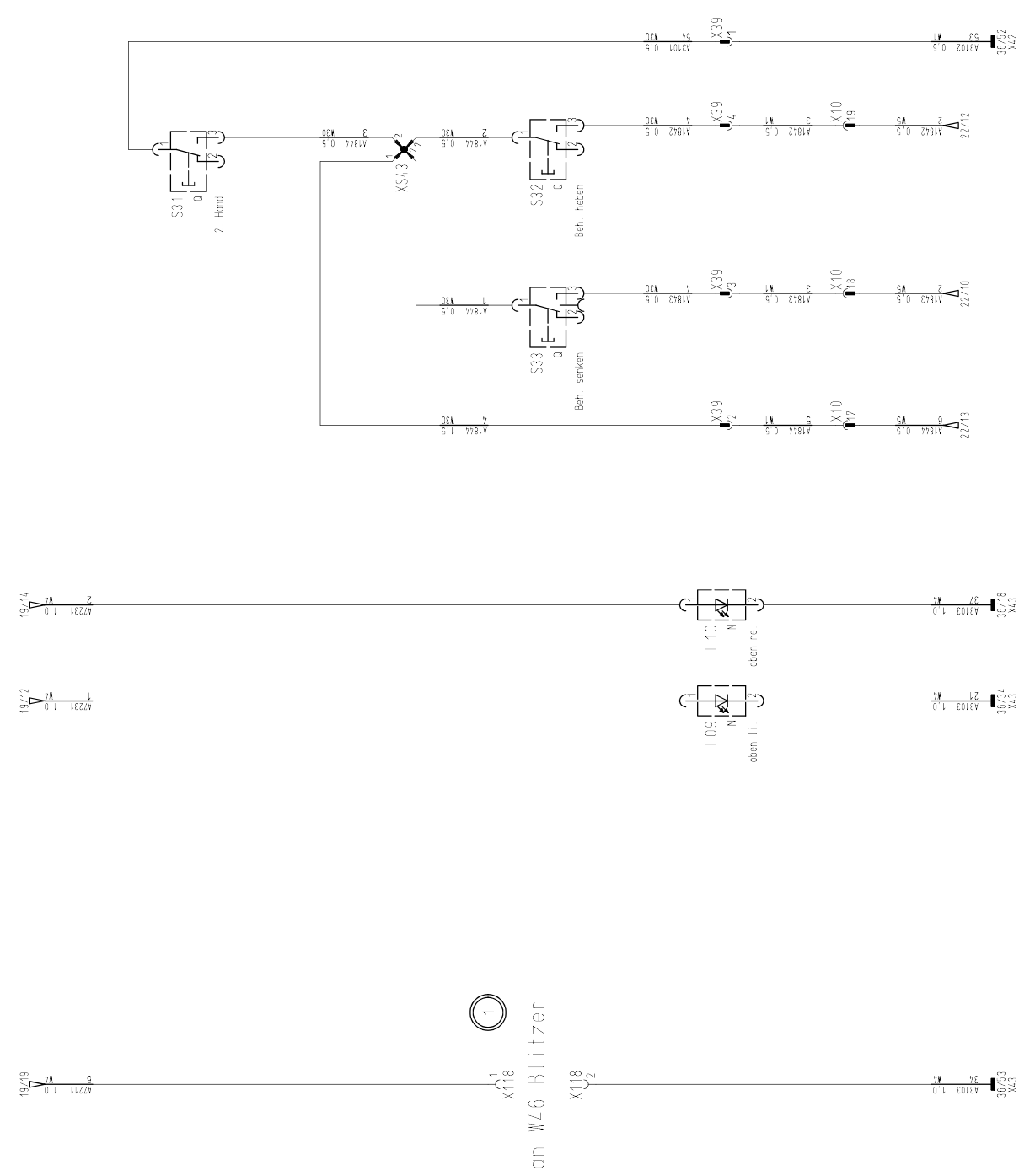
42 (No. Number appears Change No)		Date		Name		Name		Name		Drawing Number	
1	/	4.105.30	16.12.19	BK	DK	2018	Date	GM1650	DK	Schaltplan / circuit diagram	91039958
						Drawn by 24.04.11		Replaces for same no		Type L91 _ppp_DS	
						Verified		Change No 4.105-11		0-28016-01stline	
						S. Jansen		For this drawing we reserve all rights (acc. DIN ISO 15076)		KAB.L72	
										No. of Sh. 46 Sheet 27	





Legende

- E09 work lamp top left
- E10 work lamp top right
- S31 push-button container 2'nd hand
- S32 push-button hopper up
- S33 push-button hopper down (opt.)
- X10 connector 22 pole (W1<->W5)
- X39 connector 1 pole (W1<->W30)
- X118 connector 2 pole (W4<->W46)
- XS43 butt joint (W30)

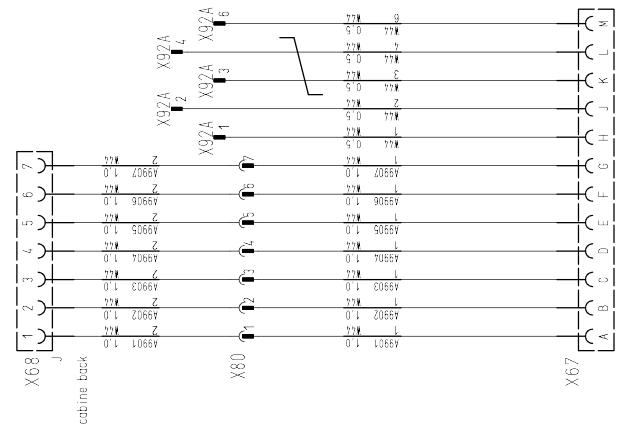


an W46 Blitzer

42		No.	Number	Change	No.	Date	Name	42		Name		Schaltplan / circuit diagram		Drawing Number	
1	2x	4105-30	16.12.19	DK	2018	Date	DK	DK		DK		DK		91039958	
Replacement for same no														Type: L91..._DPS_DS	
Change No. 4105-11														KAB1-E72	
(For this drawing we reserve all rights. (acc. DIN ISO 15076))														No. of Sh. 46 Sheet 28	



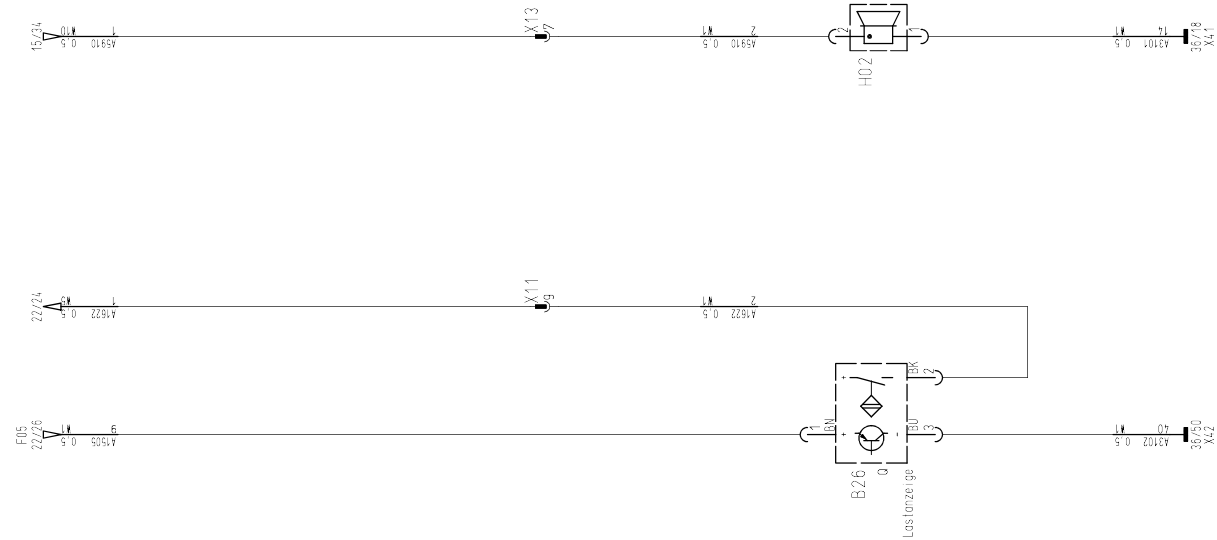
0 5 10 15 20 25 30 35 40 45 50 55 60 65 70



- H = F31(30)
- J = F29(15)
- K = Bus
- L = Bus
- M = Masse

Legende

- B76 proximity sensor hopper
- H02 buzzer
- X11 connector 14 pole (W1<->W5)
- X13 connector 8 pole (W1<->W10)
- X67 connector 12 pole spreader steering pillar
- X68 connector 7 pole spreader cabine back
- X80 connector 8 pole (W4<->W44)
- X92A connector 6 pole (W77/W79<->W44)



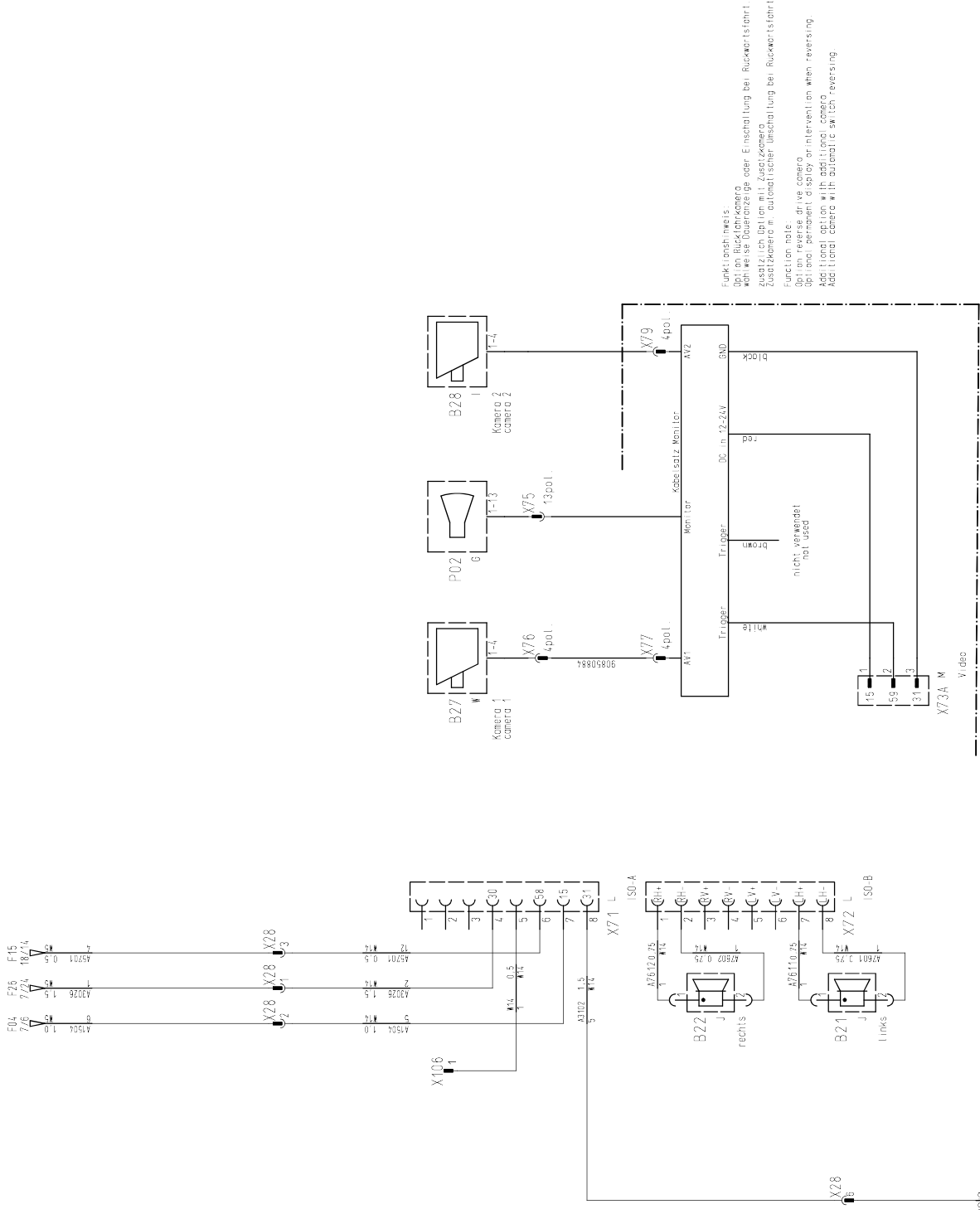
1 /		4/05-30	16/12/19	BK	2018	Date	Names	Name		Scholtiplon / circuit diagram		Drawing Number		91039958	
42		No. Number	appears	Change	No	4/05-11	Change	No	4/05-11	Replacement for same no		Type L491		998_DS	
										K481-L72		0-260		0-100	

For this drawing we reserve all rights. (acc. DIN ISO 15076)

0 5 10 15 20 25 30 35 40 45 50 55 60 65 70

Legende

- B71 loudspeaker left
- B72 loudspeaker right
- BZ7 reverse drive camera
- BZ8 additional camera
- P02 display
- X28 connector 6 pole (W5<->W14)
- X71 connector 8 pole radio ISO-A (W14)
- X72 connector 8 pole radio ISO-B (W14)
- X73A connector 3 pole video
- X75 connector 13 pole Bildschirm
- X76 connector 4 pole camera 1
- X77 connector 4 pole camera 1
- X79 connector 4 pole camera 2
- X106 connector 1 pole (W14)

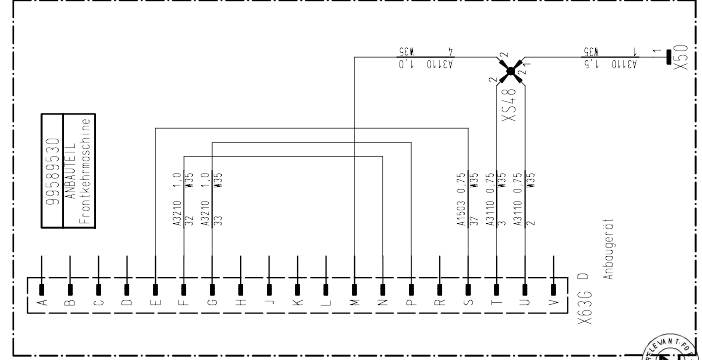
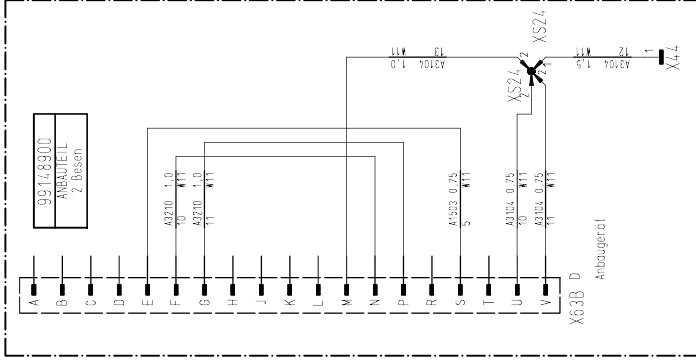
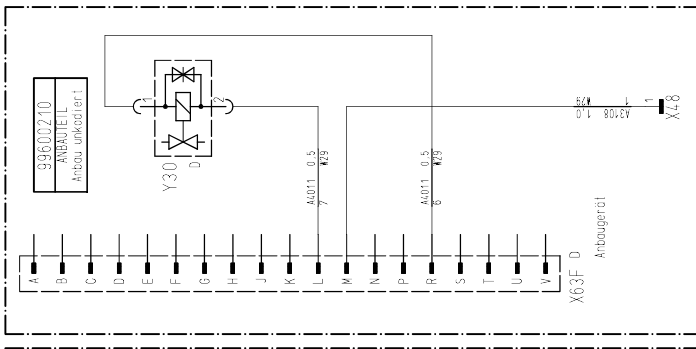
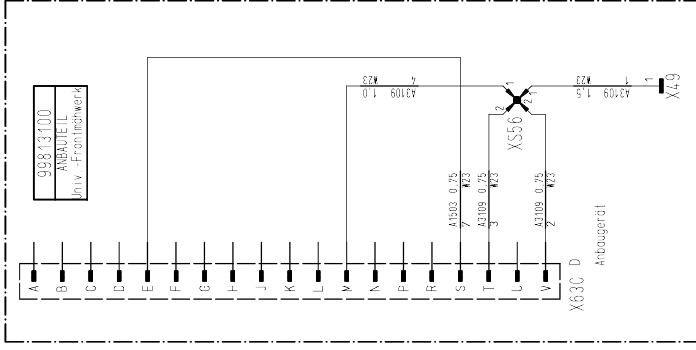
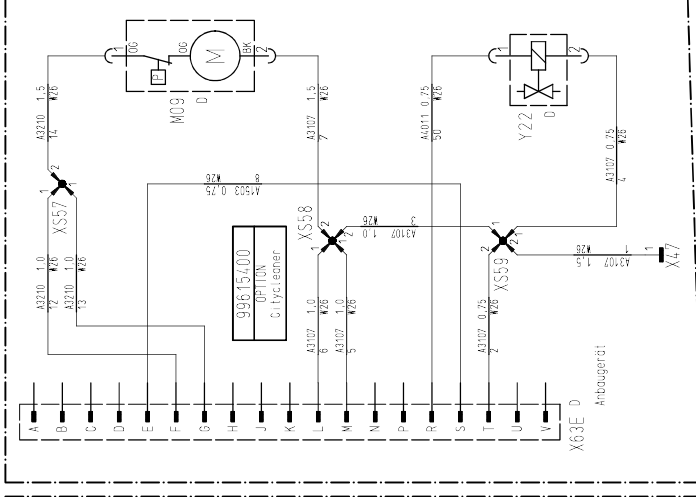


Funktionshinweis:
 Option Rückfahrkamera
 Wahlweise Überbrücke oder Einschaltung bei Rückwärtsfahrt.
 Zusatzkamera in optionaler Ausstattungsvariante
 Zusatzkamera in optionaler Ausstattungsvariante
 Funktionshinweis:
 Option Rückfahrkamera
 Optional permanent display or intervention when reversing
 Additional option with additional camera
 Additional camera with automatic switch-reversing

1		4.105-30	16.12.19	DK	DK	2018	Date	Name	DK	Name	DK	Name	DK	Name	DK	Name	DK	Name	DK
42 No. Number appears Change No. Date Name Version																			
Replacement for same no. Change No. 4.105-11																			
Name										Schaltplan / circuit diagram									
Type L91										Typo L91									
9-280106-01/191e										KAB. L72									
Drawing Number										91039958									
No. of Sh. 46										Sheet 30									

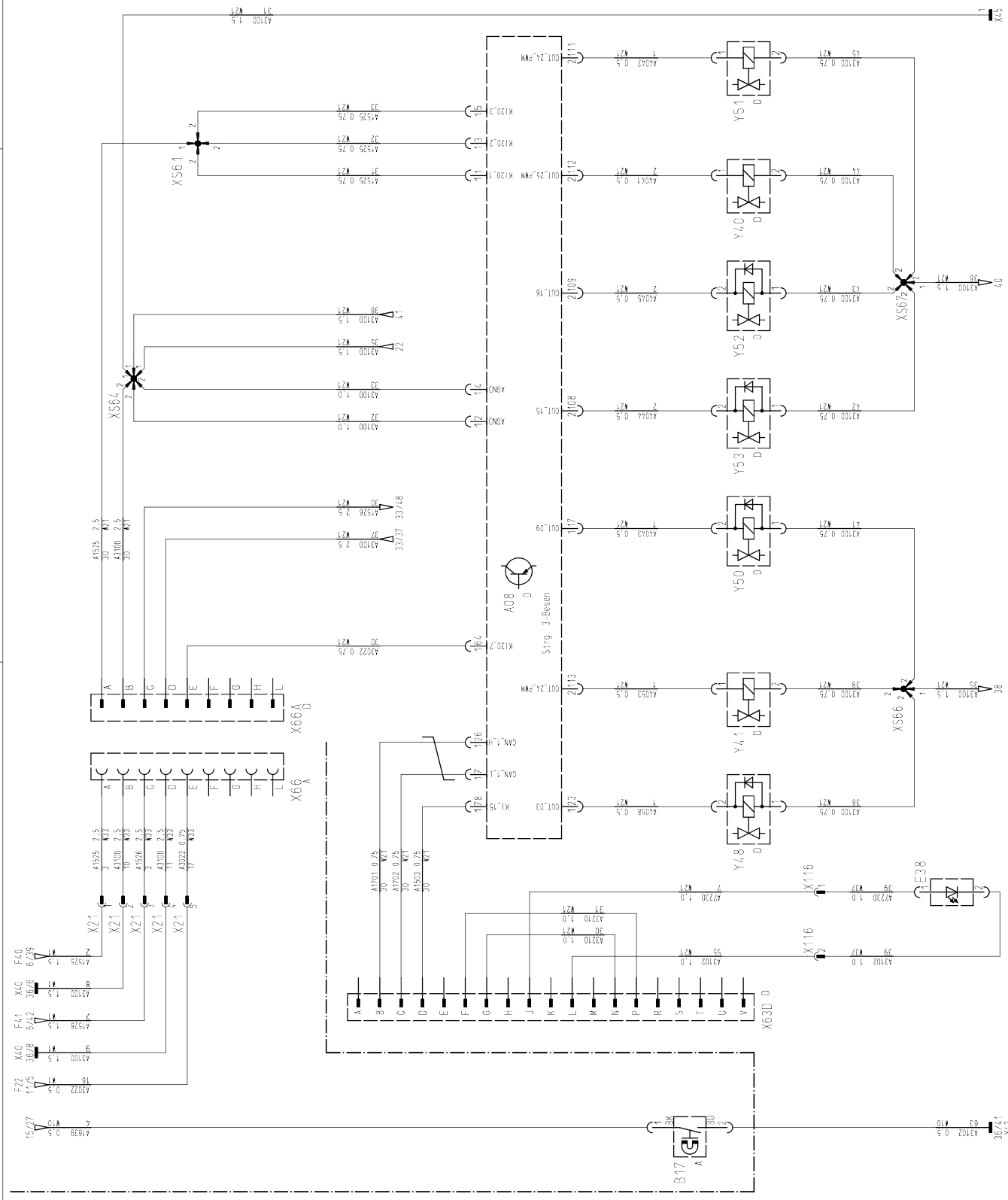
Legende

- M09 water pump
- X44 ground bolt M6 sweeper
- X47 ground bolt M6 citycleaner
- X48 ground bolt M6 attachment uncoded
- X49 ground bolt M6 mower suction
- X50 ground bolt M6 hydr. driven comb.sweeper
- X63B plug 19 pole 2-brooms
- X63C plug 19 pole mower suction
- X63E plug 19 pole citycleaner
- X63F plug 19 pole attachment uncoded
- X63G plug 19 pole hydr. driven comb.sweeper
- X63H plug 19 pole 2-brooms combart
- X117 ground bolt M6 2-brooms combart
- XS24 butt joint (W11)
- XS28 ussp (W17)
- XS48 butt joint (W35)
- XS56 butt joint (W23)
- XS57 butt joint (W26)
- XS58 butt joint (W26)
- XS59 butt joint (W26)
- Y22 water valve fresh/sloppy water
- Y30 hydraulic valve switching function
- Y37 hydraulic valve broom right displacement



Legende

- A08 controller 3-brooms
- B17 suction hood lifted reed sensor
- E38 working light 3-brooms unit
- X71 connector 6 pole (W1<->W33)
- X45 ground bolt M6 sweeper attachm. 3 brooms
- X630 plug 19 pole 3-brooms
- X66 socket 9 pole front attachment
- X116 plug 9 pole 3-brooms
- X561 connector 2 pole (W2<->W37)
- ussp (W21)
- ussp (W21)
- ussp (W21)
- ussp (W21)
- Y40 prop. valve speed rear brooms
- Y41 prop. valve speed front broom
- Y48 hydraulic valve front arm swing left
- Y50 hydraulic valve side brooms floating position
- Y51 prop. valve side brooms dispers./up
- Y52 hydraulic valve front arm swing right
- Y53 hydraulic valve front arm swing left



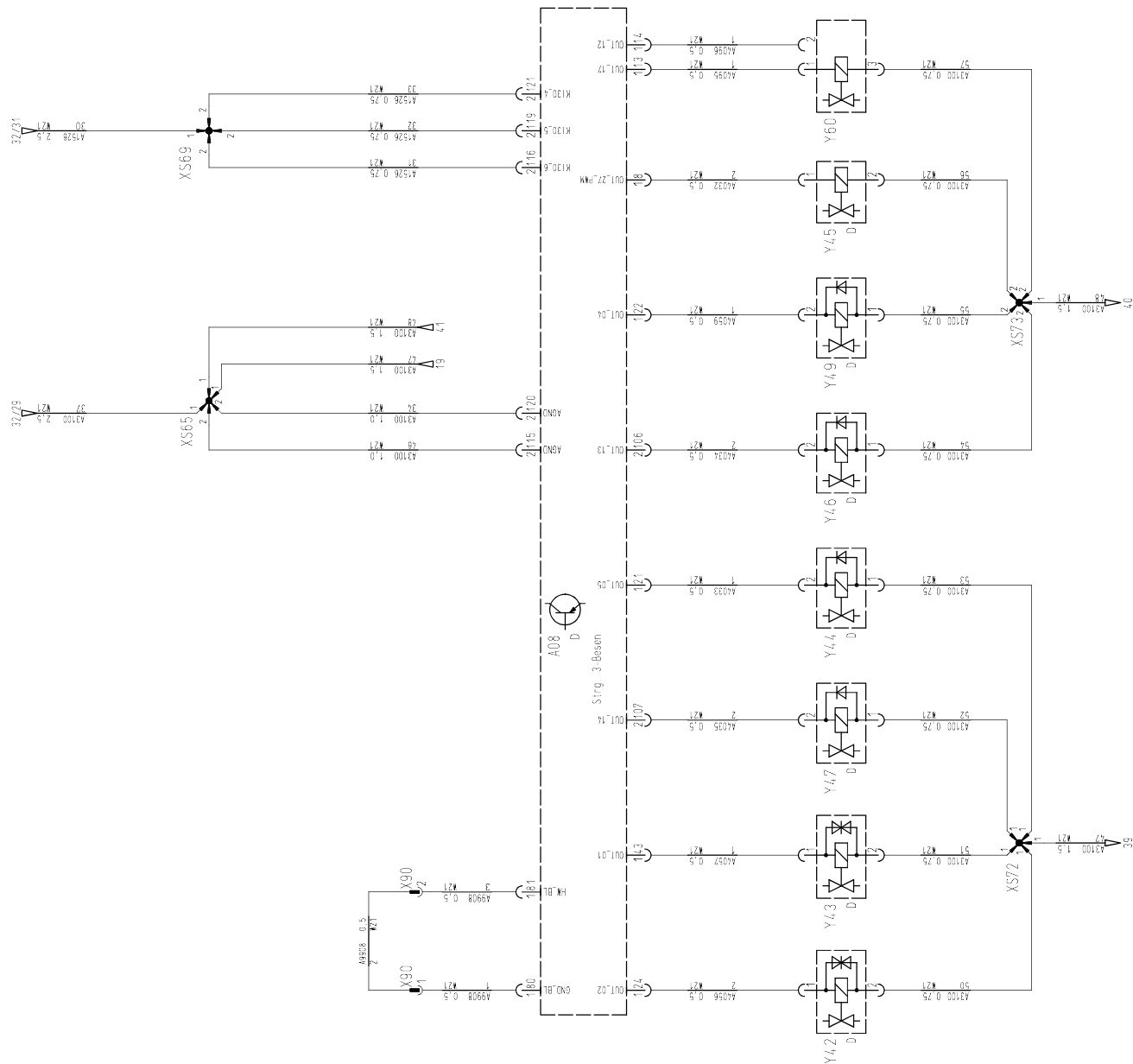
		Drawing Number 91039958	
Name Schottiplan / circuit diagram		Type: L91_090_DS K&B: L72	
Name DK650		Name Change No. 4105-11	
Drawn by: ZL, DL, DK Verified:		Date: 16.12.19 Name: S. Janssen	
4105-30		Date:	
42 (No. Number appears)		Change No.	

For this drawing we reserve all rights. (acc. DIN ISO 15076)



Legende

- A08 controller 3-brooms
- X90 connection 2 pole (W21<->W21)
- X96 ussp (W21)
- X569 ussp (W21)
- X572 ussp (W21)
- X573 ussp (W21)
- Y42 hydra. valve driv. dir. front broom left
- Y43 hydra. valve driv. dir. front broom right
- Y44 hydra. valve front broom floating position
- Y45 prop. valve front broom dispressure/up
- Y46 hydraulic valve main arm swing left
- Y47 hydraulic valve main arm swing right
- Y49 hydraulic valve front arm swing right
- Y60 watervalue 3-brooms

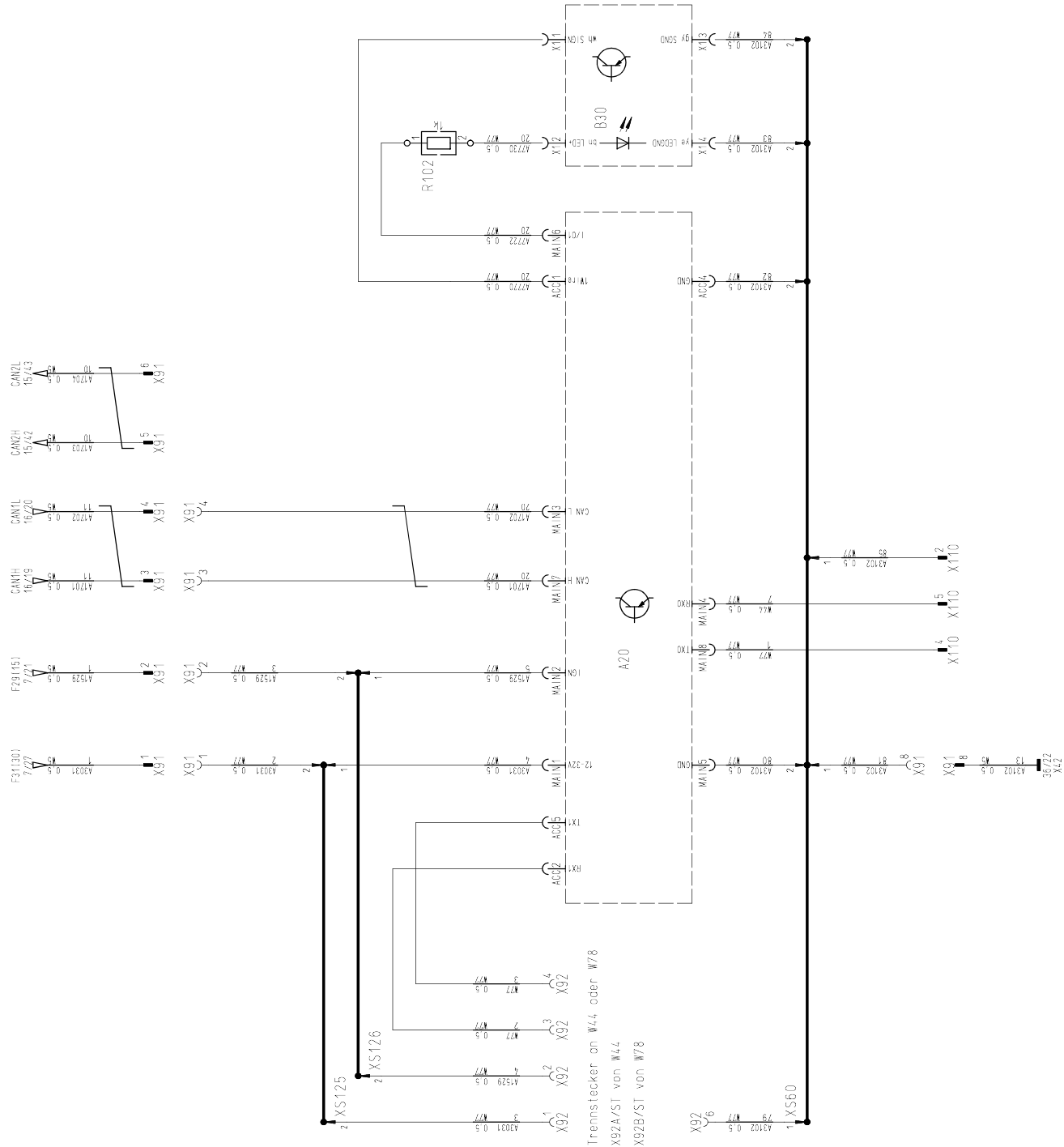


1	/	4:05-30	16.12.19	DK	Name	DK	Name	DK	Name	DK
42) No. Number appears Change No. Date Name S. Jansard										
Replacement for same no. Change No. 4:05-11										
Name: SCHÜTTLION / circuit diagram										
Name: SCHÜTTLION / circuit diagram										
Drawing Number: 91039958										
No. of Sh. 46 Sheet 33										



Legende

- A20 fleetrecorder
- B30 i-button-reader
- R102 resistor 1k
- X91 connector 8 pole (W5<->W77)
- X92 connector 6 pole (W5<->W44)
- X110 diagnosis socket 6 pole Fleet
- X560 ussp (W77)
- X5125 ussp (W77)
- X5126 ussp (W77)



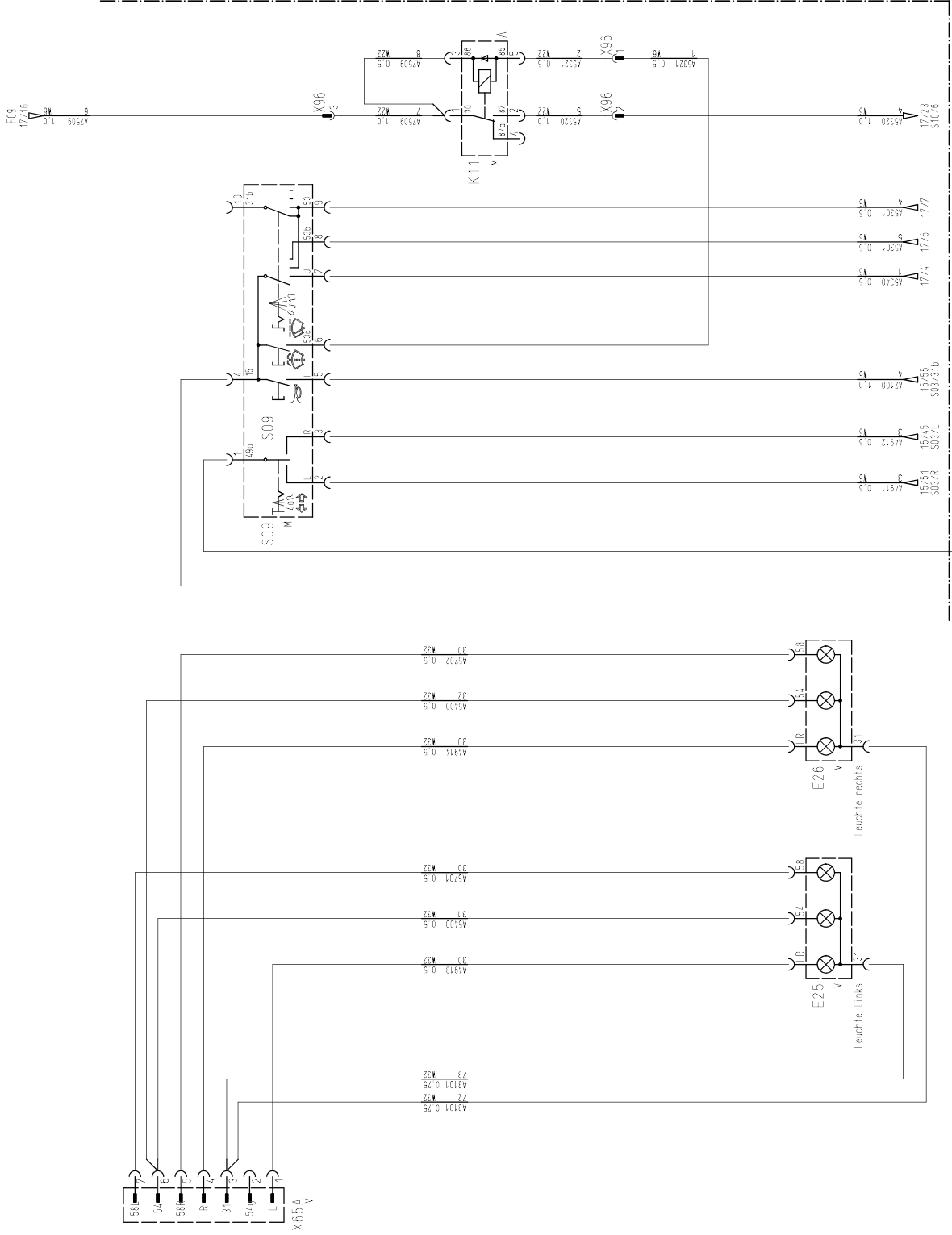
Trennstöcker on W44, oder W78
 X92A/ST von W44
 X92B/ST von W78

		Drawing Number 91039958	
Name Schaltplan / circuit diagram		Type: L91 - 999_DS K481-L72	
Name GM1650		Change No. 4:105-11	
Replacem. for same no.		For this drawing we reserve all rights. (acc. DIN ISO 15076)	
1 /	4:105-30 16 12 19	16 12 19	16 12 19
42 (No. Number appears)	Change No.	Date	Name
1	/	4:105-30 16 12 19	16 12 19
2018	Date	2018	Date
Drawn by	24.04.18	Drawn by	24.04.18
Verified	/	Verified	/
15	15	15	15
20	20	20	20
25	25	25	25
30	30	30	30
35	35	35	35
40	40	40	40
45	45	45	45
50	50	50	50
55	55	55	55
60	60	60	60
65	65	65	65
70	70	70	70



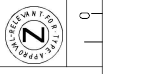
Legende

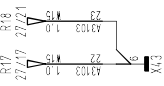
- E25 taillight left
- E26 taillight right
- K11 relay A windshield washer pump (opt.)
- S09 steering wheel switch comfort
- X65A socket 7 pole lighting weight holder connector 4 pole (W6->W22)



No.	Change No.	Date	Drawn by	Verified	Name	Date	Name
1	4105-30	16 12 19	DK		DK		DK
Replacement for same no							
Change No. 4105-11							

No.	Change No.	Date	Name	Date	Name
1	4105-30	16 12 19	DK		DK
2	36753	30.7.60	X4.2		X4.2

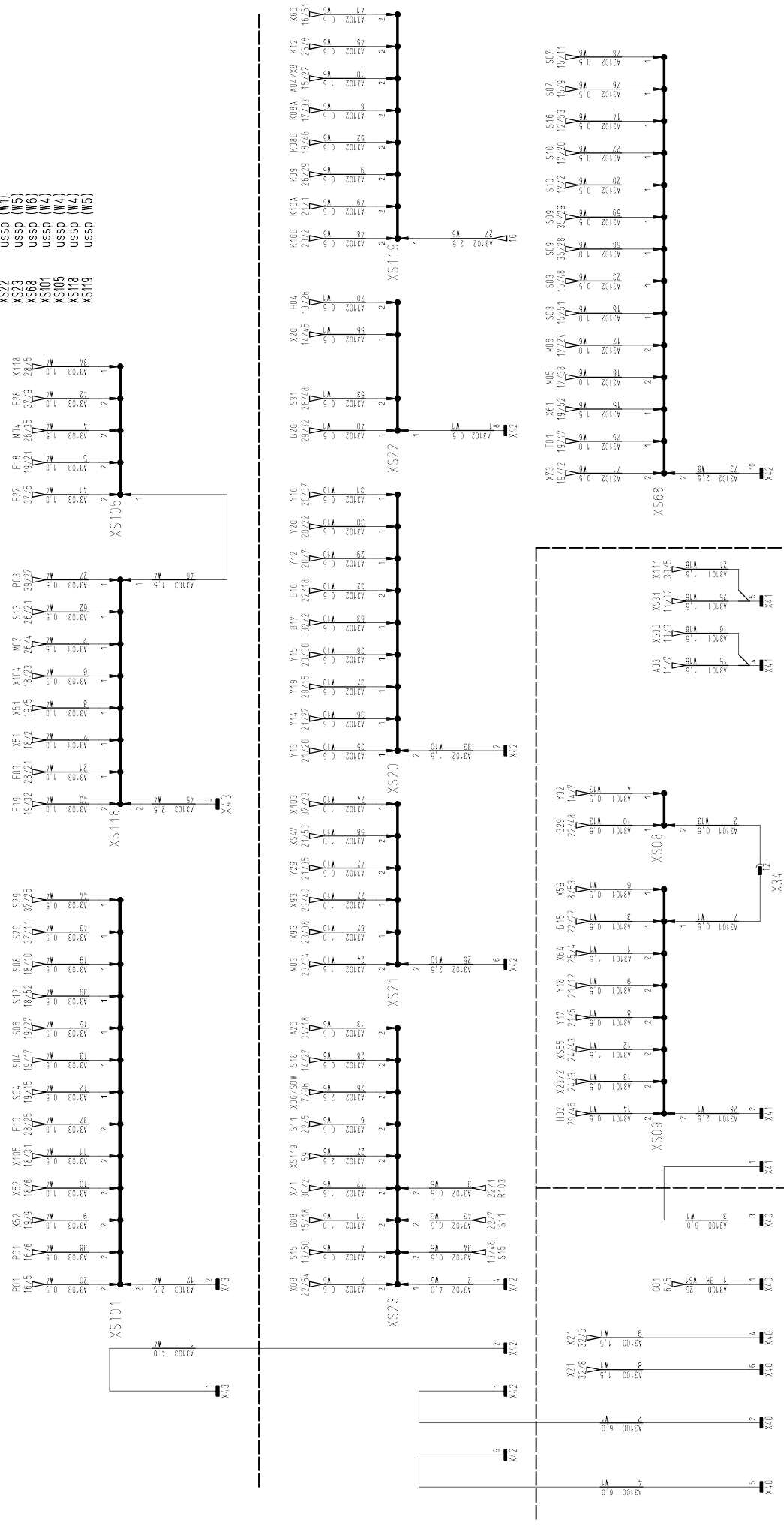




Legende

- X34 connector 12 pole (W1->W13)
- X40 ground bolt M0 chassis tail
- X41 ground bolt M5 electric box
- X42 ground bolt M6 console right
- X43 ground bolt M6 cabin roof right
- XS08 ussp (W13)
- XS09 ussp (W1)
- XS20 ussp (W10)
- XS21 ussp (W10)
- XS22 ussp (W1)
- XS23 ussp (W5)
- XS68 ussp (W6)
- XS101 ussp (W4)
- XS105 ussp (W4)
- XS118 ussp (W4)
- XS119 ussp (W5)

1



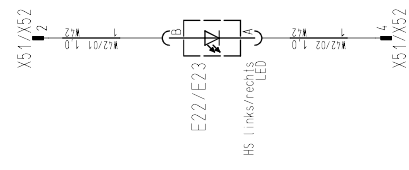
1		1x	4:05-30	16 12 19	DK	2018	Do te	Name	Scholtjopion / circuit diagram		Drawing Number	91039958
42		No.	Number	change	No.	Date	Name	Is	verified	Change No	4:05-11	91039958
For this drawing we reserve all rights (acc. DIN ISO 15076)											Type L491 0-2500000-0100000	No. of Sh. 46 Sheet 36



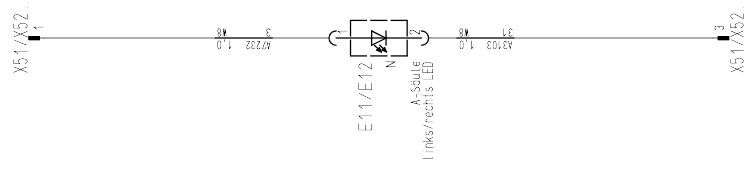
Legende

- E03/E04 front indicator/position LH/RH
- E11/E12 work lamps A-pillar LH/RH
- E22/E23 headlight LED LH/RH
- E27 working light cabin back left
- E28 working light cabin back right
- E31 working light suction mouth
- E32/E33 navigation lights LED LH/RH
- E34/E35 indicator lamps front LED LH/RH
- S29 switch working lights cabin back
- S30 switch working light suction mouth
- X15 connector 20 pole (W5<->W10)
- X18 connector 24 pole (W4<->W5)
- X51/X52 connector 4 pole (W4<->W8/W42)
- X51/X52 connector 4 pole (W4<->W8/W42)
- X103 connector 2 pole (W10<->W38)
- X104/X105 connector 3 pole (W4<->W41/W43)
- X104/X105 connector 3 pole (W4<->W41/W43)
- X5104 ussp (W4)
- X5122 ussp (W43)

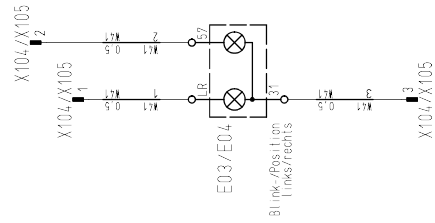
Abblendscheinwerfer LED



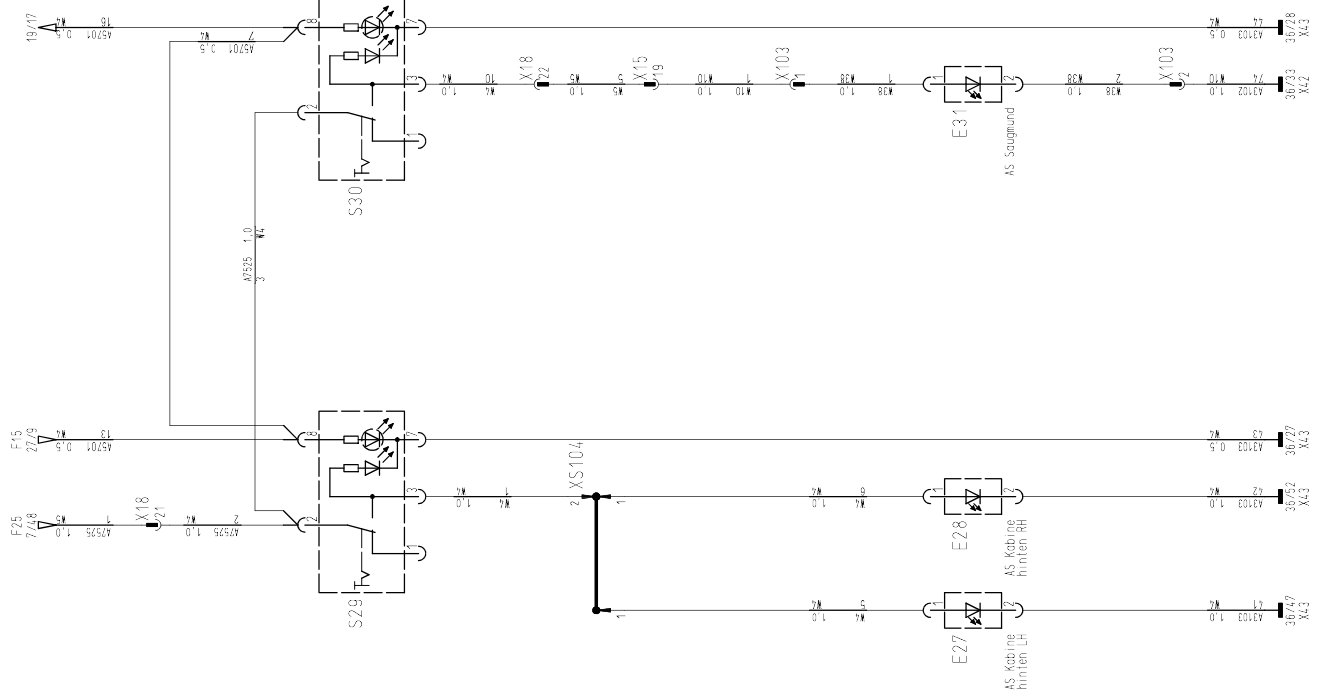
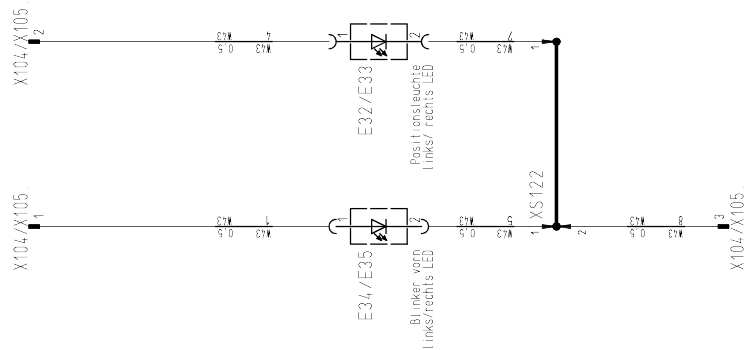
Arbeitscheinwerfer A-Säule LED



Blink-/Positionsleuchte Std.



Blink-/Positionsleuchte LED



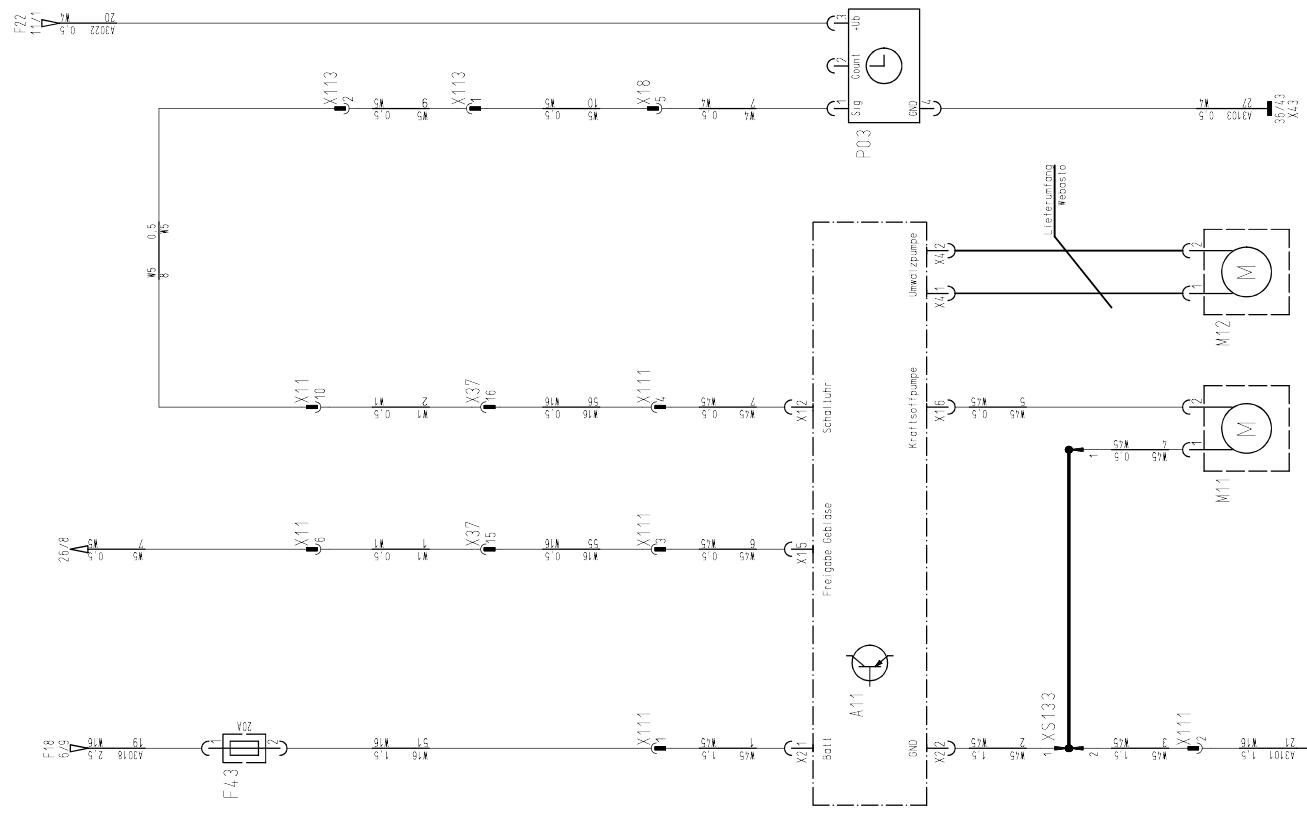
1		/		4/05-30		16/12/19		DK		DK		2018		Date		Name		DK650		Name	
42		No. Number		app. No.		Date		Name		S. Version		Verified		Drawn by		24.04.2018		DK		Replacement for same no	
																				Change No	
																				4/05-11	
																				For this drawing we reserve all rights. (acc. DIN ISO 9006)	
																				Schaltplan / Circuit diagram	
																				K848-E72	
																				Type L91	
																				91039958	
																				Drawing Number	
																				No. of Sh. 46	
																				Sheet 37	



70
65
60
55
50
45
40
35
30
25
20
15
10
5
0

Legende

- A11 auxiliary heating system
- F43 fuse 20A
- M11 metering pump auxiliary heating system
- M12 circulation pump auxiliary heating system
- P03 operating unit auxiliary heating system
- X11 connector 14 pole (W1<->W5)
- X18 connector 24 pole (W4<->W5)
- X37 connector 16 pole (W1<->W16)
- X111 connector 4 pole (W16<->W45)
- X113 connector 2 pole (W5<->W5)
- XS133 ussp (W45)



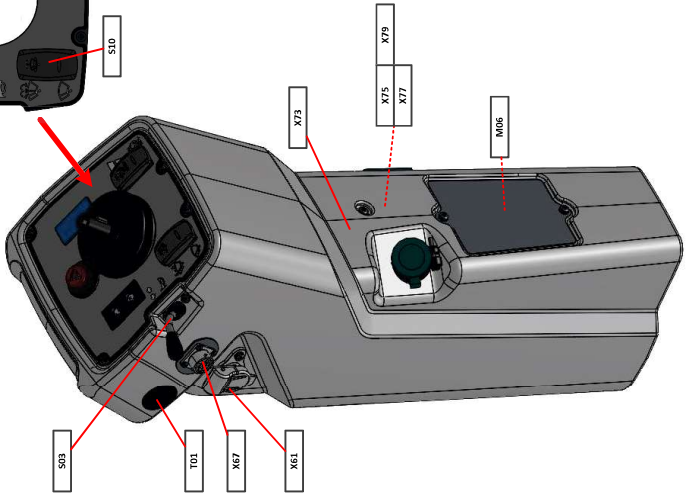
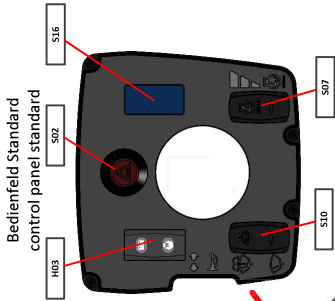
		Drawing Number 91039958	
Name Schottlition / circuit diagram		Type L491 ... 999_DS 0-280000-01-01-01-01-01	
Change No. 4105-11 For this drawing we reserve all rights. (acc. DIN ISO 15076)		K481-F72 No. of Sh. 46 Sheet 39	
1 / 4105-30 16 12 19 42 No. Number, approx. Change No.	2018 Drawn by Verified	Name DK Name S. Janssen	Name SKM650 Replacem. for same no. Change No. 4105-11

next Sheet: 40

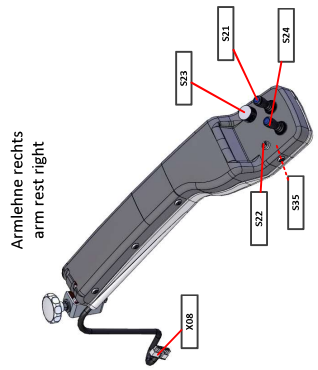
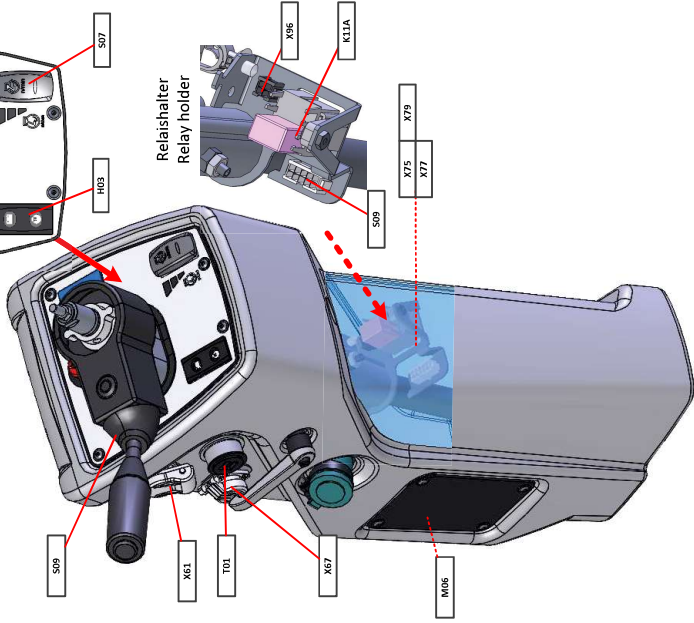
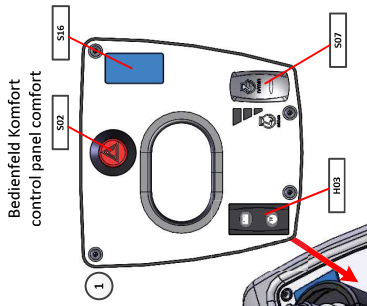
0 5 10 15 20 25 30 35 40 45 50 55 60 65 70



Lenksäule Standard steering columns standard



Lenksäule Komfort steering columns comfort

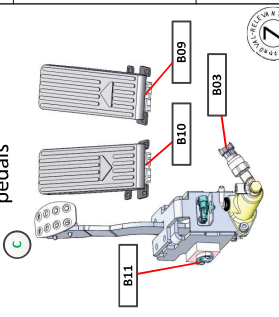
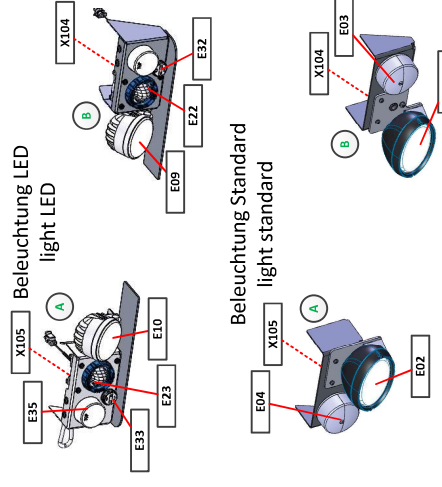
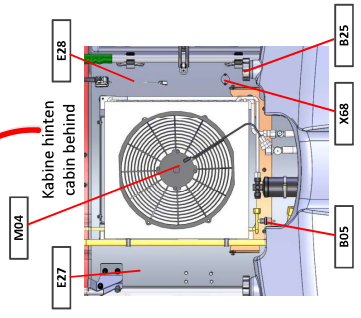
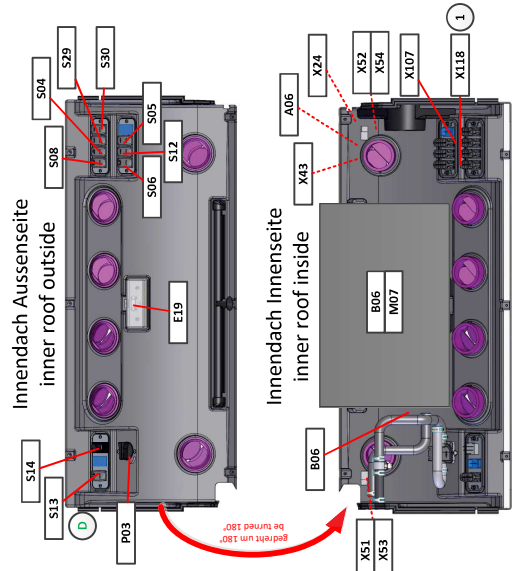
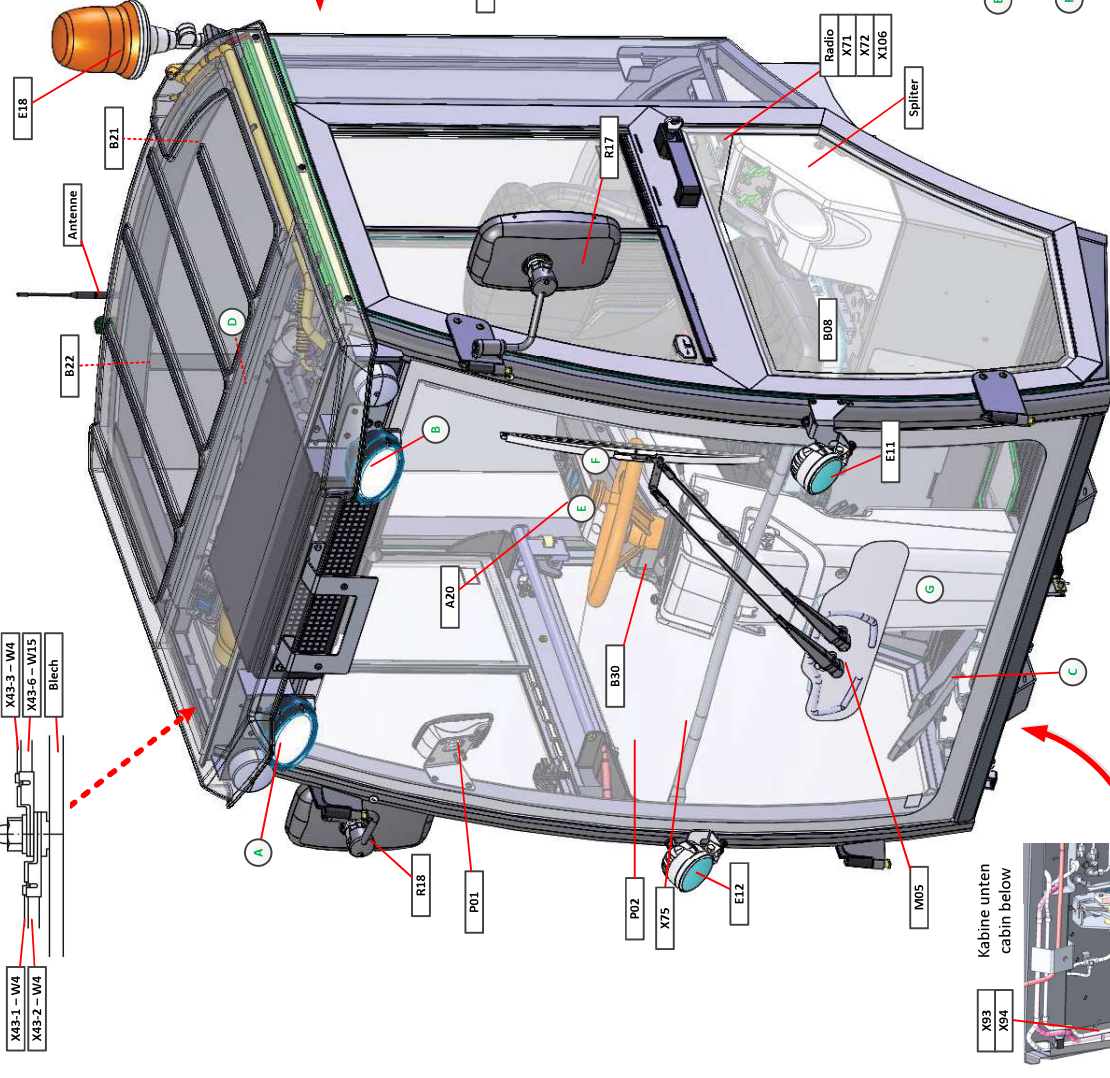
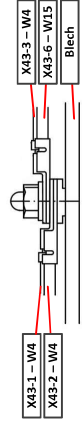


Drawing Number 91039959		No. of Sheets 11	
Name Schallan		Engineering Base 6.2 Type 191 Dept.05	
Reference No. CM1650		Change No. 4105-11	
Date 31.07.2019	Name LX	For this drawing we reserve all rights (pat. DR.182.181/0).	
Drawn 14/08	Checked 14/08	Sheet 48	
Date 16.12.2019	LKOK 4105-30	Engineering Base 6.2 Type 191 Dept.05	
Change No. 4105-11	Name Schallan	Sheet 48	
No. Number Approval 1	Change No. 4105-11	Sheet 48	

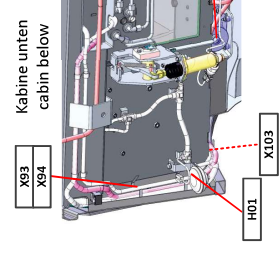
Progressvermerk:

Kabine komplett
Cabin complete

Anschlussbelegung X43
terminal lay-out X43

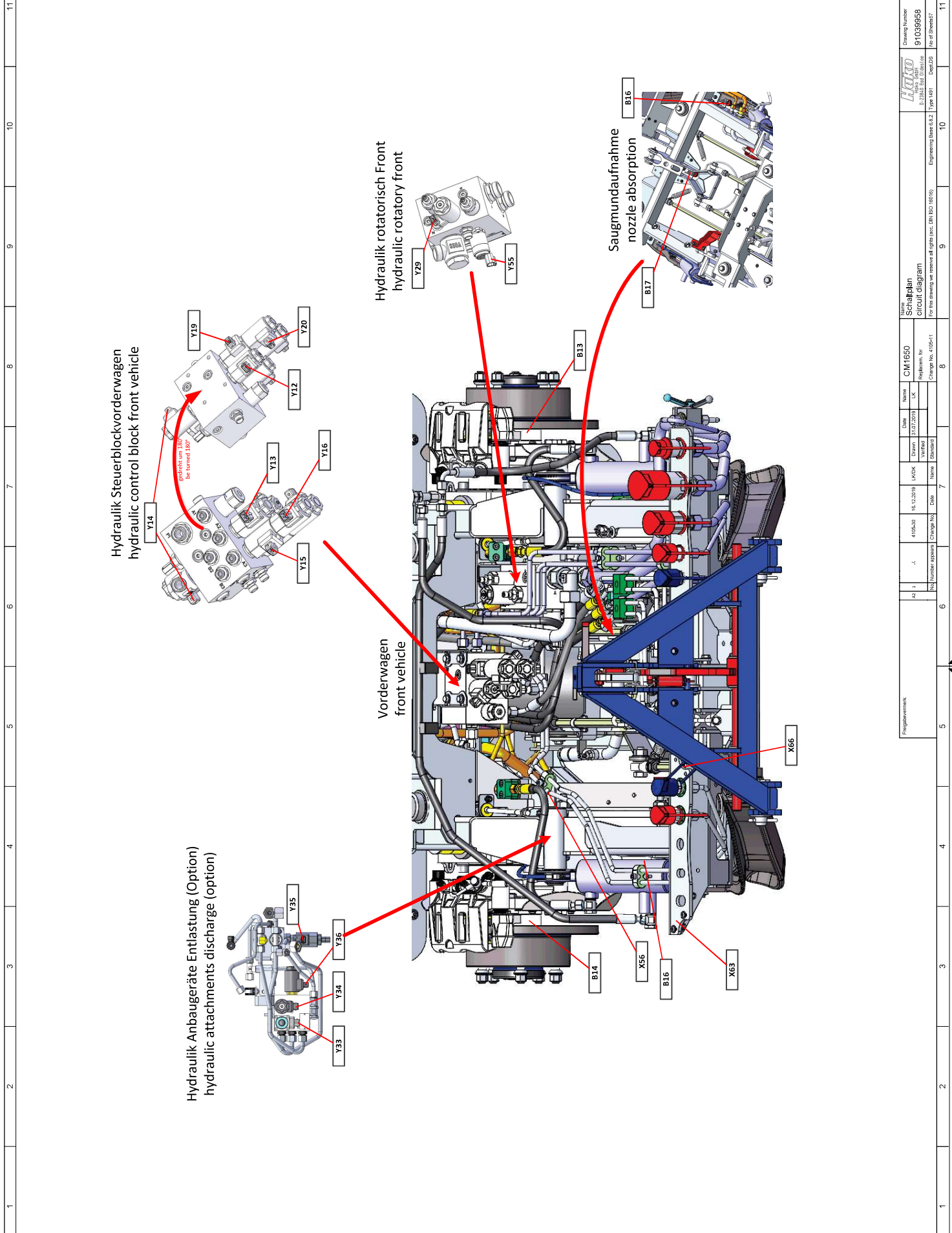


- (E) Siehe: Seitenkonsole rechts
show: side console right
- (F) Siehe: Armlehne
show: arm rest
- (G) Siehe: Lenksäule
show: steering columns

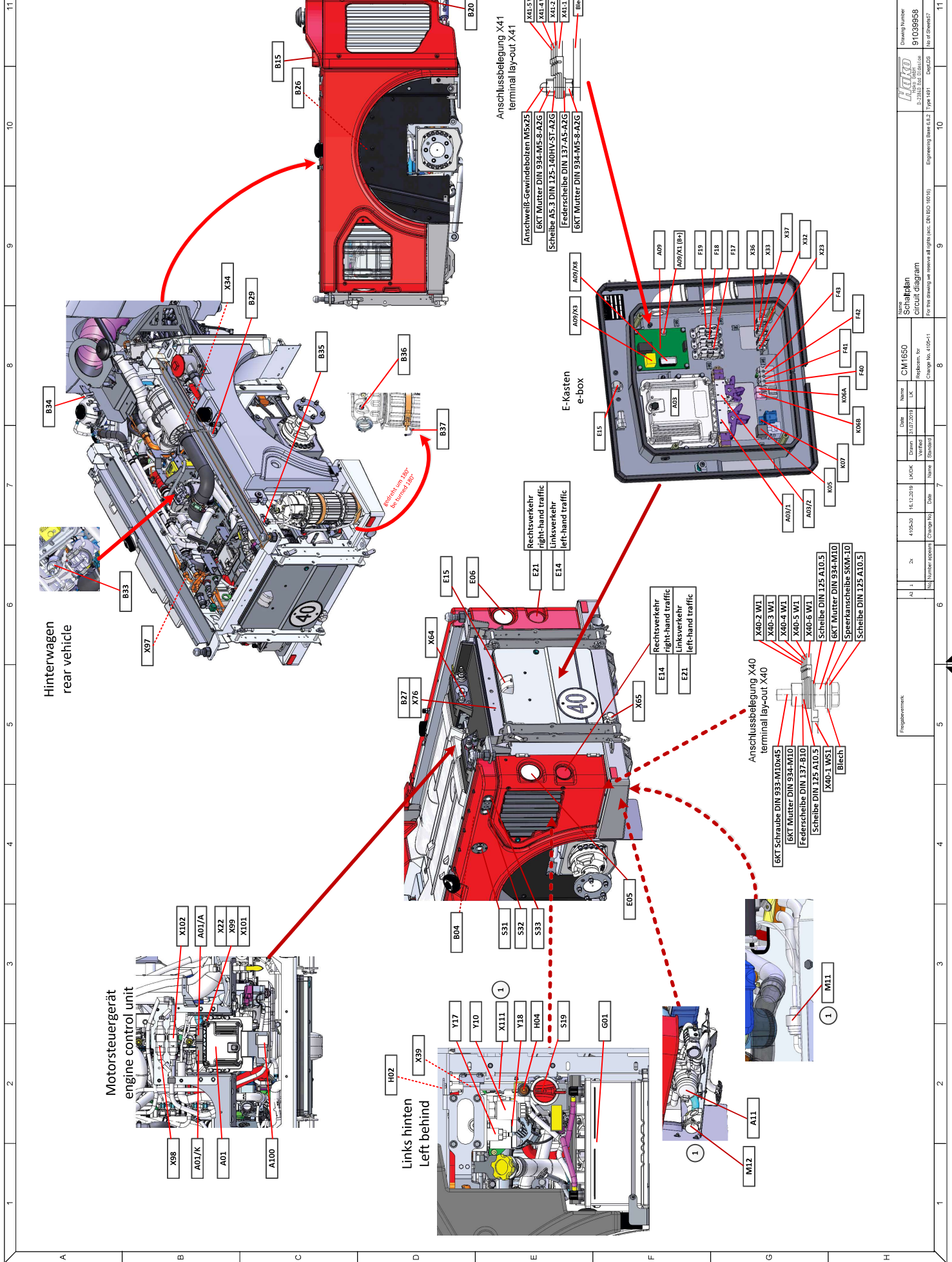


Projektleitung		Datei		Name		CM 1650		Drawing Number	
A1		410520		16.12.2019		LWOK		Schaltplan circuit diagram	
A2		1x		31.07.2019		LK		91039959	
A3		1x		16.12.2019		LWOK		B.17329 v.0111	
A4		1x		16.12.2019		LWOK		Engineering Base 6.2 Type 1491 Dept.05 No. of Sheets:7 Sheet:49	
A5		1x		16.12.2019		LWOK		Change No. 410521	
A6		1x		16.12.2019		LWOK		Change No. 410521	
A7		1x		16.12.2019		LWOK		Change No. 410521	
A8		1x		16.12.2019		LWOK		Change No. 410521	
A9		1x		16.12.2019		LWOK		Change No. 410521	
A10		1x		16.12.2019		LWOK		Change No. 410521	
A11		1x		16.12.2019		LWOK		Change No. 410521	





Zeichnungsnummer 91039959		Zeichnungsart 91039959		Zeichnungsgröße A3		Blatt 11	
Name Schallplan		Projekt CM1650		Zeichnungsart CK		Blatt 11	
Referenz, Nr. 410530		Zeichnungsart CK		Blatt 11		Zeichnungsgröße A3	
Änderung, Nr. 410530		Zeichnungsart CK		Blatt 11		Zeichnungsgröße A3	
Change No. 410530		Zeichnungsart CK		Blatt 11		Zeichnungsgröße A3	
For this drawing we reserve all rights (acc. DIN ISO 10303)		Engineering Base 6.0.2 Type 1501 Dept.05		Date 31.07.2019		Drawing No. 91039959	
Date 31.07.2019		Drawing No. 91039959		Drawing No. 91039959		Drawing No. 91039959	
Name Schallplan		Name Schallplan		Name Schallplan		Name Schallplan	
Design 31.07.2019		Design 31.07.2019		Design 31.07.2019		Design 31.07.2019	
Drawn 31.07.2019		Drawn 31.07.2019		Drawn 31.07.2019		Drawn 31.07.2019	
Checked 31.07.2019		Checked 31.07.2019		Checked 31.07.2019		Checked 31.07.2019	
Approved 31.07.2019		Approved 31.07.2019		Approved 31.07.2019		Approved 31.07.2019	



Hinterwagen
rear vehicle

Motorsteuergerät
engine control unit

Links hinten
Left behind

Anschlussbelegung X41
terminal lay-out X41

- X41.5-W16
- X41.4-W16
- X41.2-W1
- X41.1-W1
- Blech
- 6KT Mutter DIN 934-M5-8-AZG
- Schraube A5.3 DIN 125-140HV-ST-AZG
- Federscheibe DIN 137-A5-AZG
- 6KT Mutter DIN 934-M5-8-AZG

F-Kasten
e-box

- Rechtsverkehr
right-hand traffic
- Linksverkehr
left-hand traffic

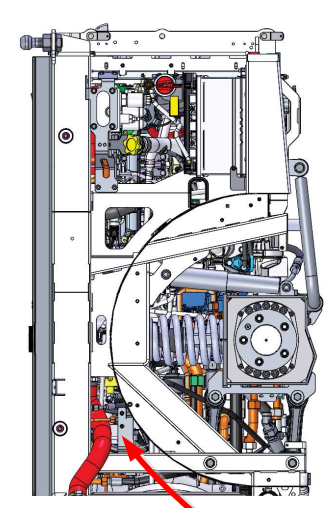
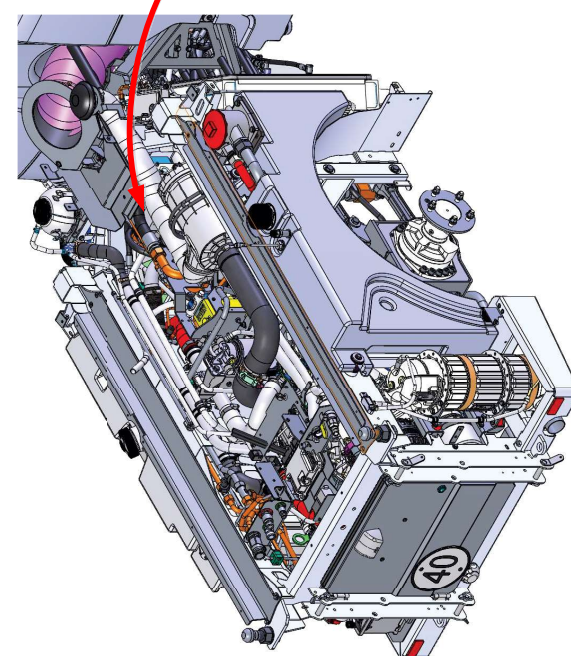
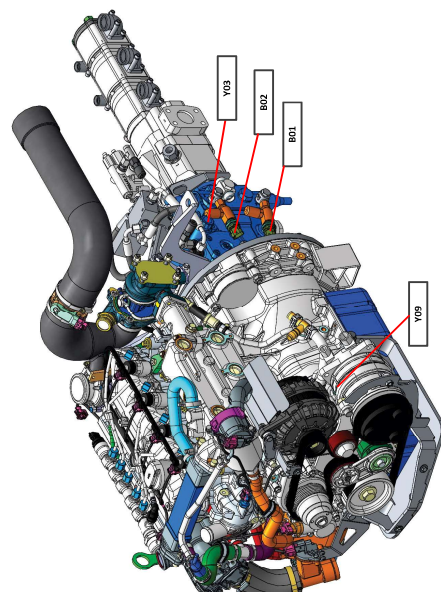
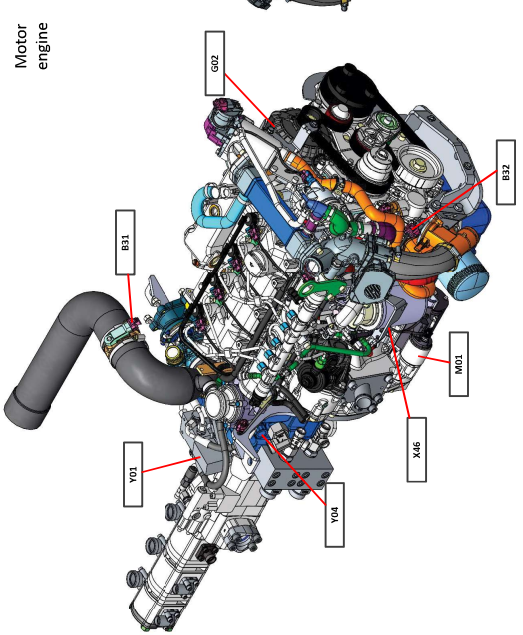
- Rechtsverkehr
right-hand traffic
- Linksverkehr
left-hand traffic

Anschlussbelegung X40
terminal lay-out X40

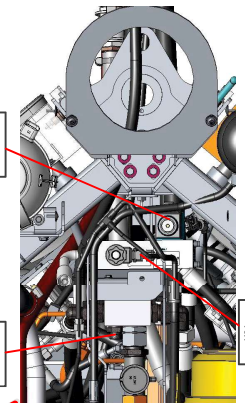
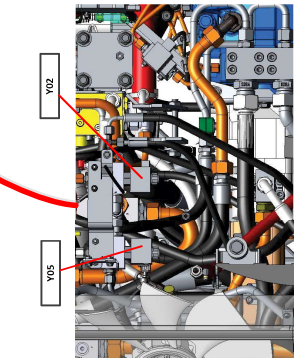
- X40.2-W1
- X40.3-W1
- X40.4-W1
- X40.5-W1
- X40.1-W51
- X40.1-W16
- X40.4-W16
- X41.2-W1
- X41.1-W1
- Blech
- 6KT Schraube DIN 933-M10x45
- 6KT Mutter DIN 934-M10
- Federscheibe DIN 137-B1.0
- Schraube DIN 125 A10.5
- 6KT Mutter DIN 934-M10
- Speerterscheibe SKM-10
- Schraube DIN 125 A10.5



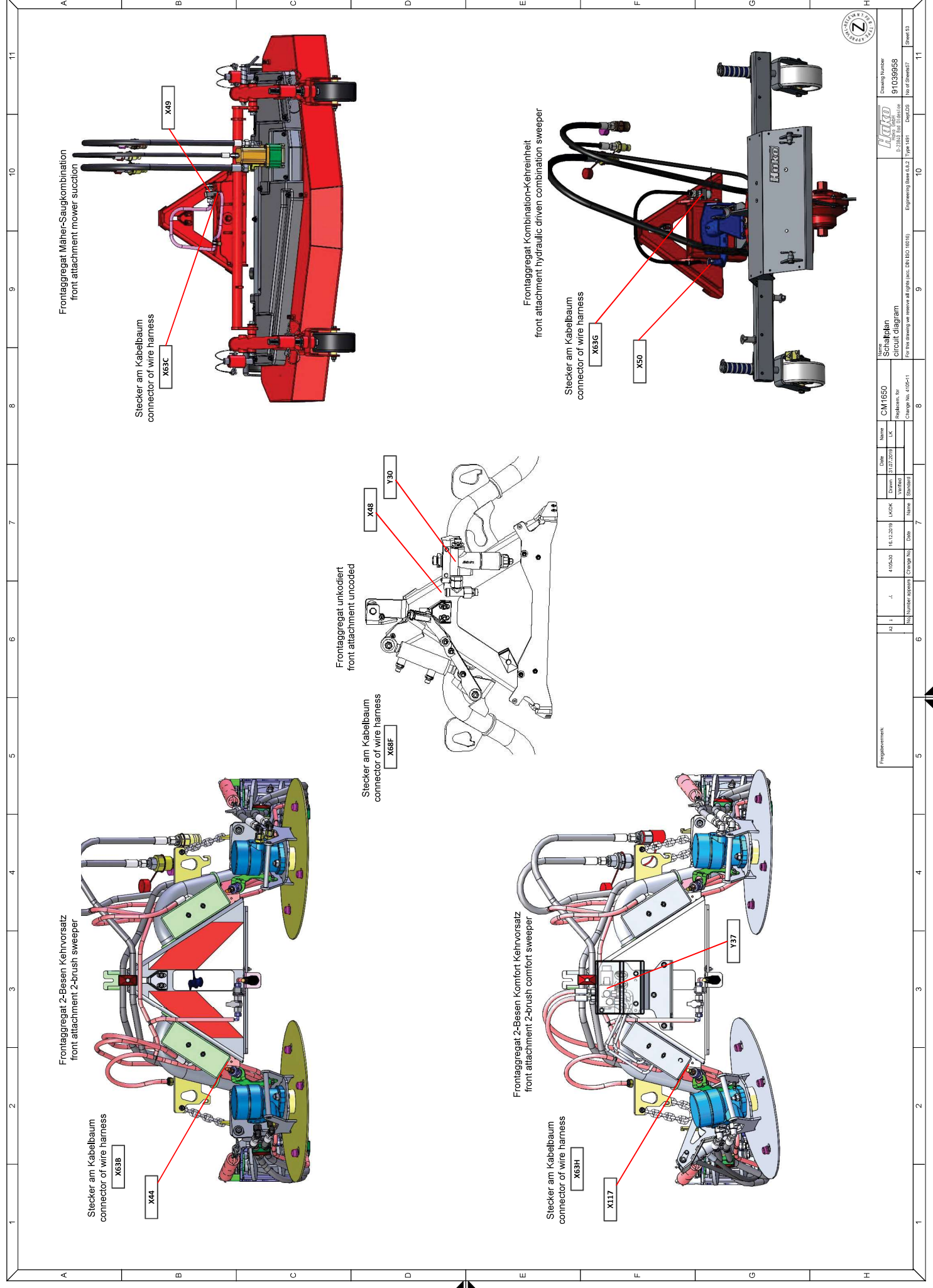
Projektname:		CM 1650		Name: Schallplan		Drawing Number: 91039959	
Zeichnungsnummer:		410530		Datum: 31.07.2019		Engineering Base: e.2	
Lage:		LX		Name:		Typ: 1491	
Lage:		LX		Name:		Detail: 05	
Lage:		LX		Name:		No. of Sheet: 7	
Lage:		LX		Name:		No. of Sheet: 11	
Lage:		LX		Name:		No. of Sheet: 11	



Hydraulik
hydraulic



Progressivmerk:		AI 1		419530		H11212019		L1/OK		31.07.2019		Date		Name		CM1650		Schallplan		Drawing Number		91039959	
N1 Number Approval		Change No.		Change No.		Date		Name		LK		Reference No.		Engineering Base 6.0.2		Type 1501		Dept.05		No. of Sheets/7		Sheet 52	

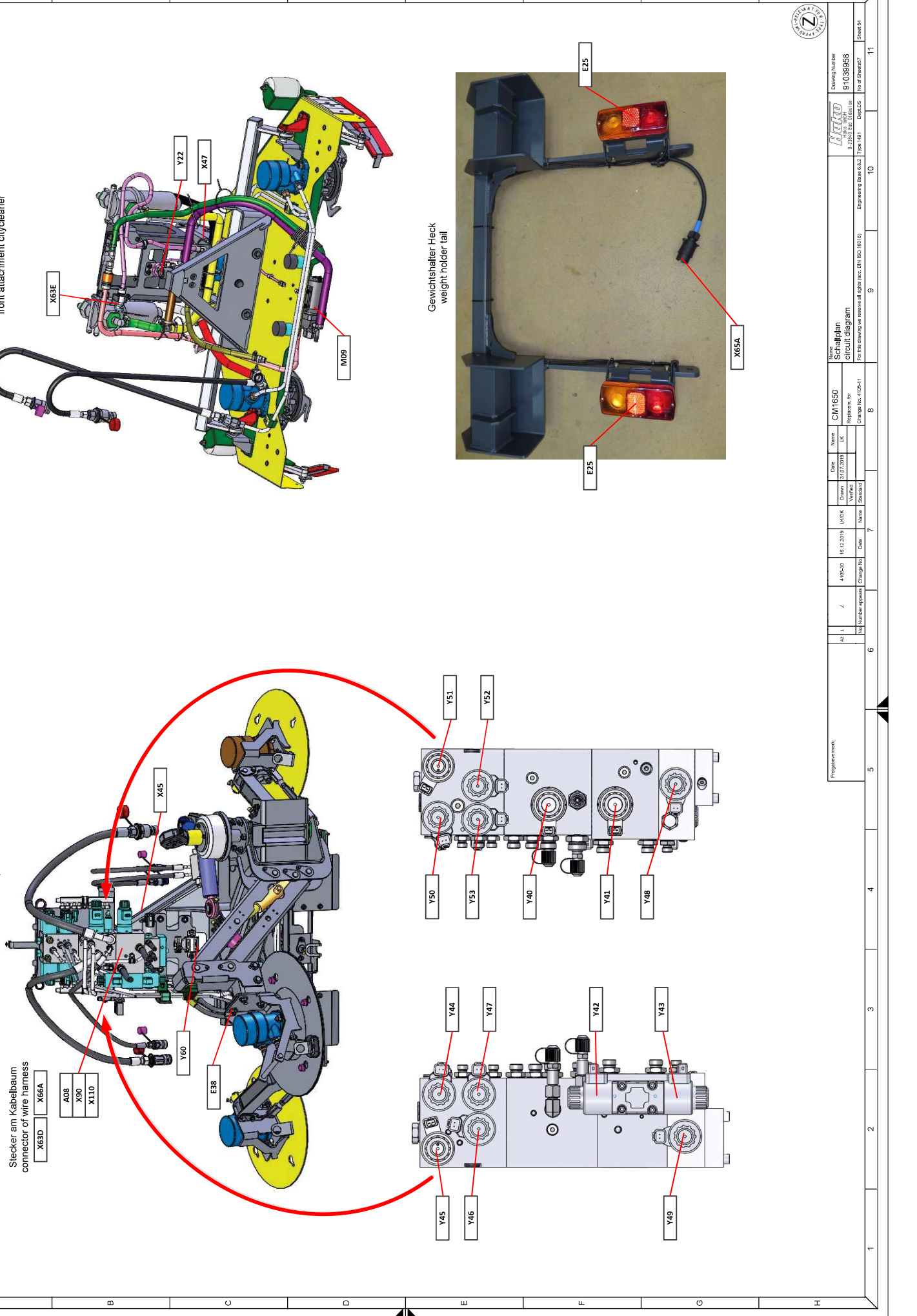


Frontalansicht		Date		Name		Drawing Number	
A1	1	410530	16.12.2019	LJK	LJK	91039959	91039959
Beschreibung		410530		410530		91039959	
Zu		410530		410530		91039959	
Vom		410530		410530		91039959	
Ab		410530		410530		91039959	
Revisions-Nr.		410530		410530		91039959	
Änderung Nr.		410530		410530		91039959	
Vollständige Bezeichnung		410530		410530		91039959	
Zusätzliche Informationen		410530		410530		91039959	
Zusätzliche Informationen		410530		410530		91039959	
Zusätzliche Informationen		410530		410530		91039959	

Legende
 CM1650
 Schalplan
 Schaltplan
 For this drawing we reserve all rights (pat. 281.852.180.00)
 Engineering Base 6.2 | Type 1491 | Dept.05 | No. of Sheets:7 | Sheet:53



A 1 2 3 4 5 6 7 8 9 10 11



Frontaggregat Citycleaner
front attachment citycleaner

Frontaggregat 3-Besen Kehrvorsatz
front attachment 3-brush sweeper

Stecker am Kabelbaum
connector of wire harness

Gewichtshalter Heck
weight holder tail

Projektleitung		Datei		Name		Date		Drucken		L1X		Revision		Dessign	
CM1650		Schaltplan		CM1650		31.07.2019		410530		410530		410530		410530	
Referenz Nr.		Engineering Base 6.0.2		Typ 1491		Dept.05		No. of Sheets:07		Sheet:44		Drawing Number		91039959	
Für this drawing we remove all rights (pat. UN18218618)		Engineering Base 6.0.2		Typ 1491		Dept.05		No. of Sheets:07		Sheet:44		Drawing Number		91039959	